



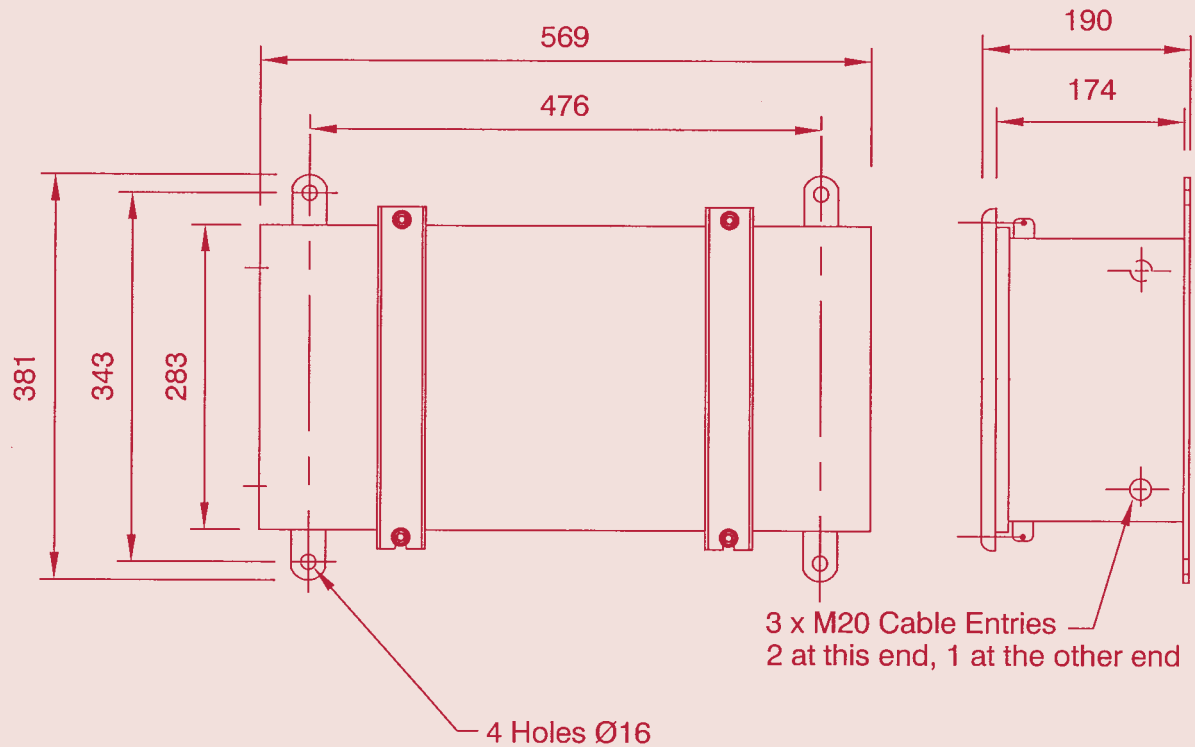
The 502 control gearbox is designed for use with high wattage High Pressure Sodium and Metal Halide lamp types. The 502 is manufactured from marine grade stainless steel making it suitable for use in corrosive and saline environments.

Standard Specification		Features
Ingress Protection	IP66/67 to EN60529	Marine grade stainless steel construction
Enclosure	316S31 marine grade stainless steel construction	Easy to install and maintain
Entries	3 x 20mm cable entries	Hinged lid with three captive fixing screws
Termination	3 core 4mm ² max conductors	Lightweight
Mounting	Base mounted straps	Control gear easily accessed and can be replaced
Control Gear	Internal copper/iron multi-tapped ballast and PFC capacitors (Ignitor not fitted on standard models)	Thermal cut-outs fitted on ballast and transformer
Electrical Supply	220, 230, 240, 254V 50Hz (Always state V/Hz when ordering)	

Std. Cat No.	Wattage	Lamp	Weight
502I/1000/MH	1000W	Metal Halide	32.0kg
502I/1000/HS	1000W	HPS	32.0kg
502I/2000/MH	2000W	Metal Halide	36.0kg

Options – Suffix to Catalogue No.

/60	60Hz supply	/NC	No capacitors
/M25	M25 cable entries		



Product design and specifications are subject to change without notice, please check the Chalmit website for latest specifications.

