



The Curie Elite is a recessed fluorescent specifically designed for use in solid or modular ceiling types. The luminaire is SOLAS B15 approved and suitable for use in offshore accommodation modules for both task and emergency lighting.

To allow safe and easy maintenance Curie features automatic lamp de-energisation upon opening. Emergency versions provide battery management, monitoring and self-test functions, this ensures safe and dependable battery back-up operation.

Standard Specification		Features
Type of Protection	Ex e mb q (Increased safety Encapsulation Powder filling) Dust protected enclosure	B15 SOLAS fire rating - appropriate insulation is required over the luminaire
ATEX Classification	Group II Category 2 GD	Battery management monitoring & automatic self test
Area Classification	Zone 1 and Zone 21 areas to EN 60079-10-1 and EN 60079-10-2 with installation to EN 60079-14	
Certificate	EC Type Examination Certificate Baseefa02ATEX0117X	Simple and easy access via front cover for lamp replacement and maintenance
Coding	Ⓔ II 2 GD Ex e mb q IIC T4 Tamb 40°C	Suspended gear tray for ease of maintenance
Enclosure	White polyester painted zinc coated steel body and aluminium frame. EPDM rubber gasket. Prismatic polycarbonate diffuser, c/w Stainless steel fasteners.	
Reflector/Geartray	White polyester painted zinc coated steel	Automatic lamp de-energisation on opening
Entry	4 x 20mm diameter holes for cable entries, mounted on the top two at one end and two at the other end	Electronic control gear gives 50/60Hz operation, high power factor correction and regulation of lamp output
Termination	3 core 4mm ² max. conductor with looping and through wiring 16A rating. 4 core 4mm ² connectors on emergency). (6mm ² terminations available - /SC option)	
Installation	Side brackets with adjustable arms (solid ceilings) Rotating cams (Exposed 'T' and Spring 'T' ceilings). There is also a provision for drop rod mounting	dc operation (non emergency)
Lampholder	G13 (Bi-pin)	Local switching arrangement as standard
Control Gear	High Frequency	
Relamping	Access via front cover secured by screws	End of life (EOL) protection to IEC 60079-7 (with EOL I and EOL II functionality)
Burning Position	Horizontal	
Ingress Protection	IP65 to EN 60598-1:2000	International Approvals
Electrical Supply	220V - 254V 50/60Hz, and 220V - 300V dc (non-emergency only)	
Battery	Internal Ni-Cd (6V)	ATEX and CSA IECEx Compliant
Battery Duration	90 minutes to EN60598-2-22	
Emergency Output	50% of one lamp (18W) 25% of one lamp	

Std. Cat No.	Wattage	Lamp	TClass	T°C (Dust)	Ambient °C	Weight
CUEE/218/BI*	2x18W	T8	T4	70	-20 to +40	12.5kg
CUEE/418/BI	4x18W	T8	T4	70	-20 to +40	16.0kg
CUEE/236/BI*	2x36W	T8	T4	70	-20 to +40	16.0kg
CUEE/436/BI	4x36W	T8	T4	70	-20 to +40	20.0kg
CUEE/218/BI/EM*	2x18W	T8	T4	70	-20 to +40	14.5kg
CUEE/418/BI/EM	4x18W	T8	T4	70	-20 to +40	18.0kg
CUEE/236/BI/EM*	2x36W	T8	T4	70	-20 to +40	22.0kg
CUEE/436/BI/EM	4x36W	T8	T4	70	-20 to +40	22.0kg

* Only available in 600 x 600mm and 600 x 1200mm body styles.

The standard Curie Elite is supplied with a 3mm clear outer panel & prismatic diffuser.

Note: Modular ceiling types require the /MET or /MST suffix.

Ceiling type must be stated at time of enquiry/order

Options – Suffix to Catalogue No.

/MET	Modular – Exposed 'T' ceiling	/LG	Low glare louvre
/MST	Modular – Spring 'T' ceiling	/NST	High frequency non-self testing ballast (recommended for sleeping quarters)
/120	Specific voltage (110/120)	/2L	2 lamp emergency mode
/25	25mm cable entries	/HEO	High emergency output 90 minute duration (36W only)
/SC	Screwed connection terminal block (up to 6mm ² conductors)	/3H	3 hour battery duration*
/EL	Extra live termination facility (to match emergency circuit)		

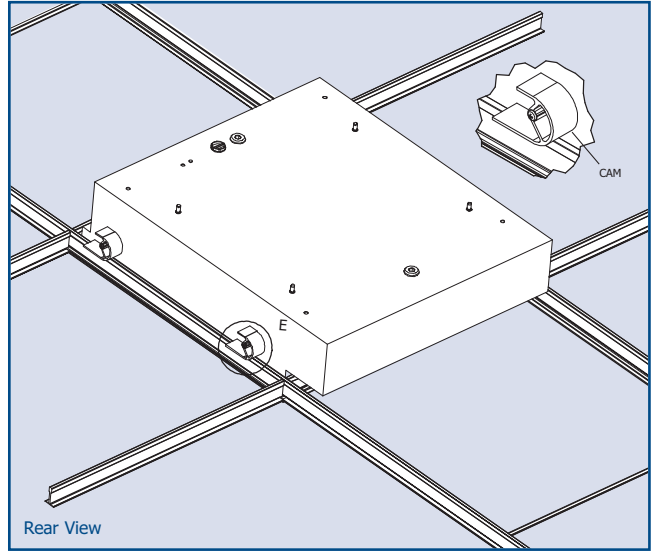
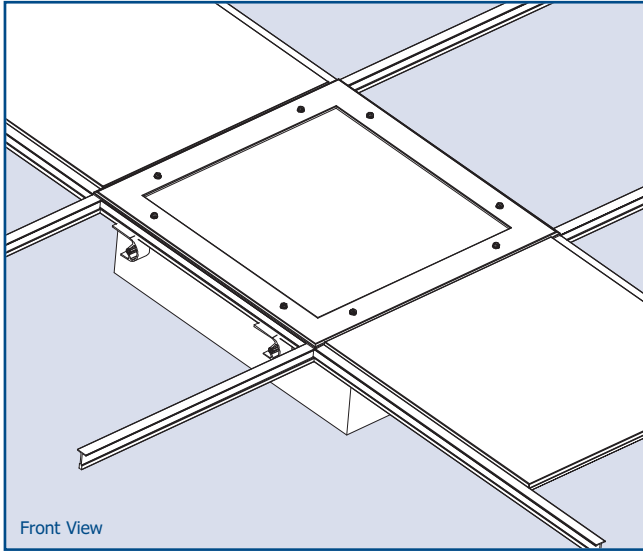
* 18W = 30% of one lamp, 36W = 25% of one lamp



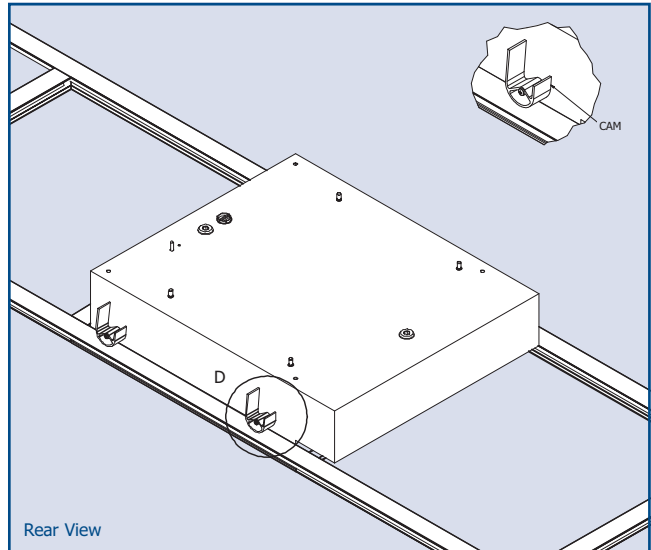
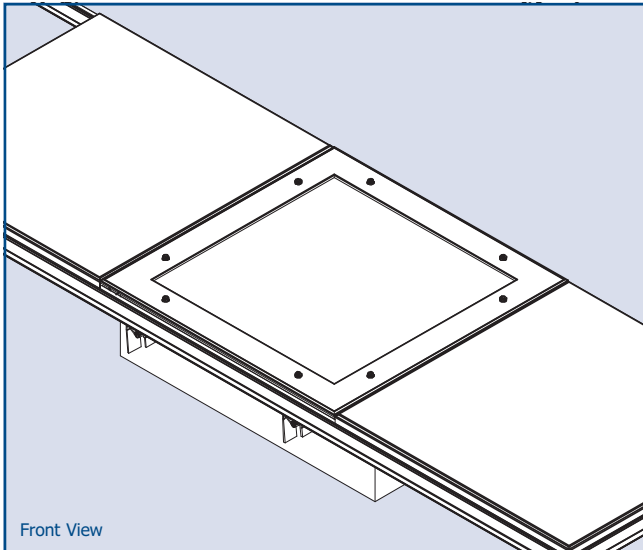
/LG - Low glare louvre

Product design and specifications are subject to change without notice, please check the Chalmit website for latest specifications.

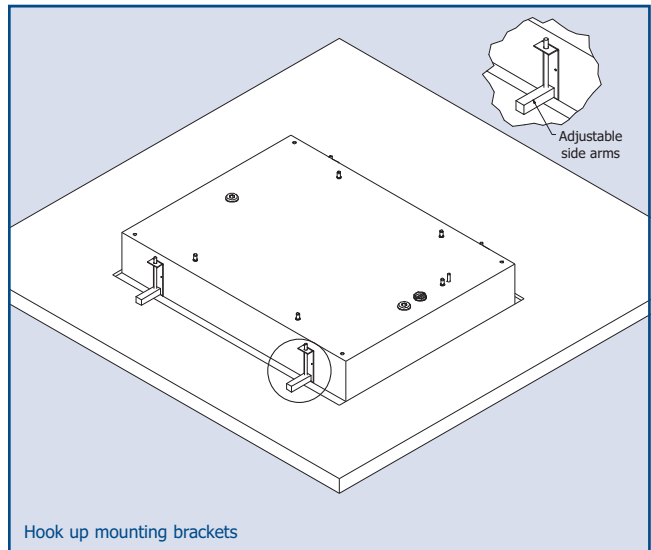
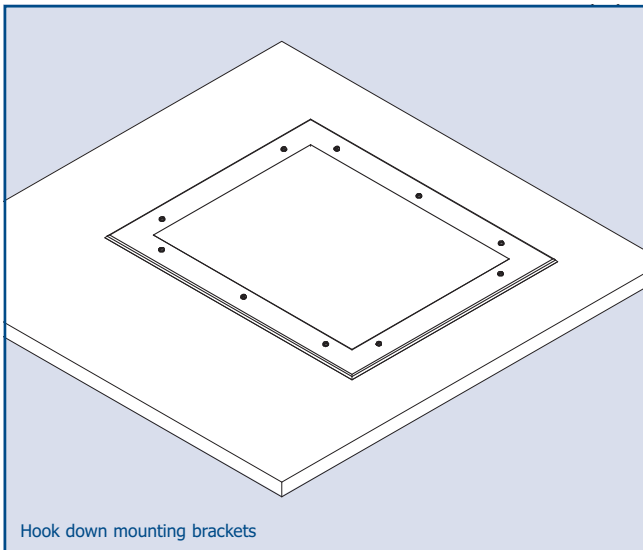
CEILING TYPE OPTIONS



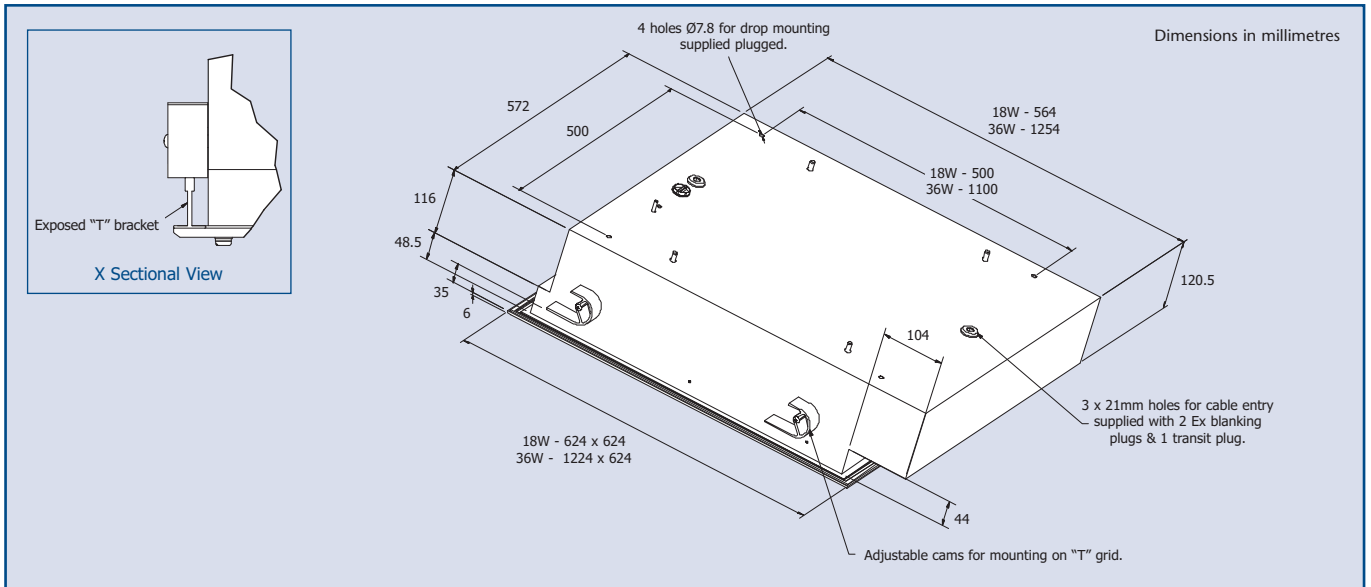
View of Exposed "T" Ceiling with recessed luminaire, typical 600mm x 600mm tile grid mounting system (/MET).



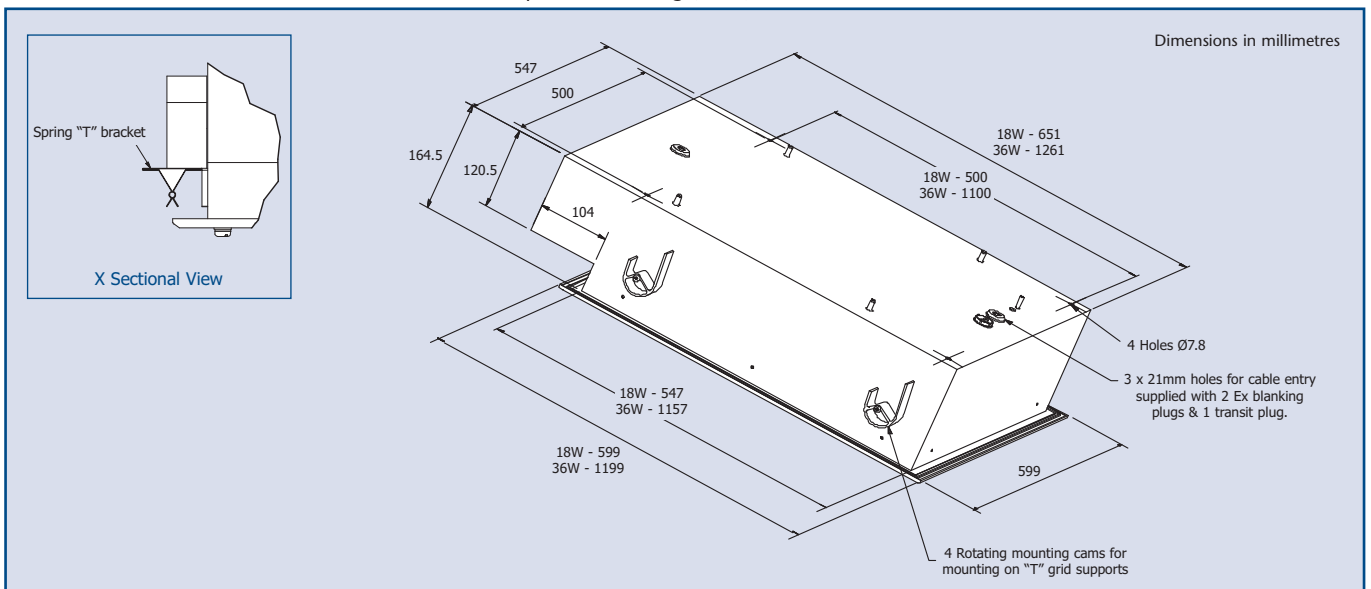
View of Spring "T" Ceiling with recessed luminaire, typical 600mm x 600mm tile grid mounting system (/MST).



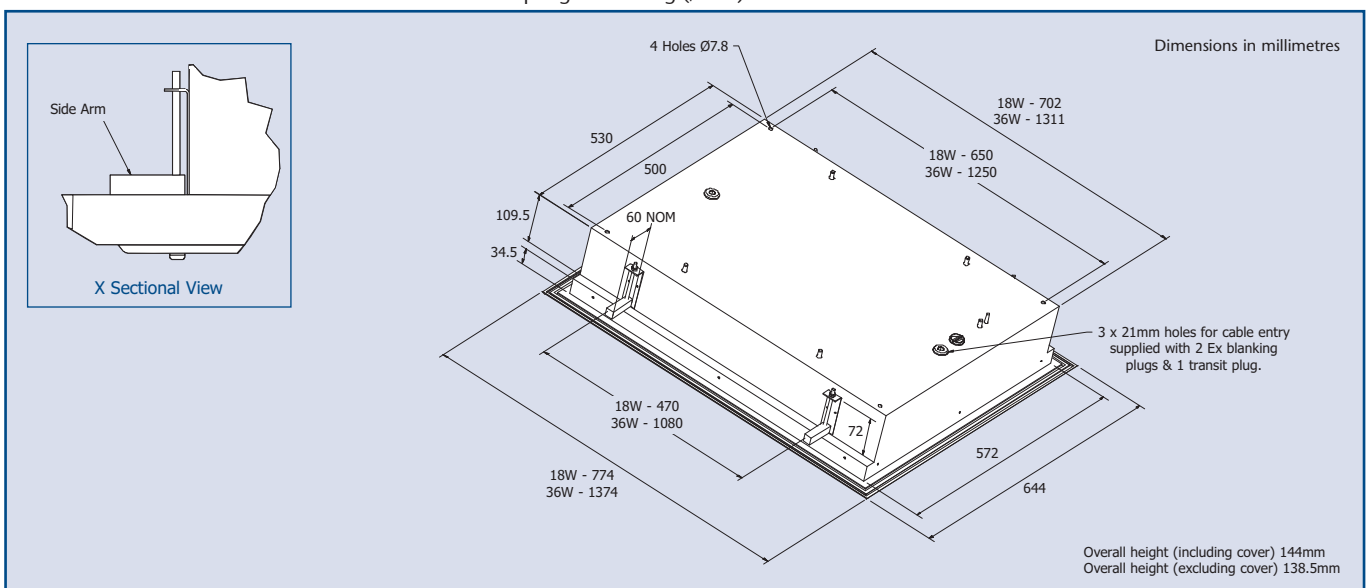
View of Solid Ceiling with recessed luminaire.



Exposed "T" Ceiling (/MET) dimensions.



Spring "T" Ceiling (/MST) dimensions.



Solid Ceiling dimensions.