

ECLIPSE JUNIOR Ex n WELL-GLASS

1



The Eclipse Junior is a compact wellglass that incorporates the low maintenance features of the Eclipse II. Its low profile design and range of mounting options, offers an all round lighting solution in areas of limited space.

The junior is available with a range up lamp types up to 150W and is suitable for use at low temperatures (-45°C).



The Eclipse Junior with external reflector



The Eclipse Junior with wire guard

Standard Specification

Features

Type of Protection	Ex nA nR (Non-sparking, Restricted Breathing)
ATEX Classification	Group II Category 3 G
Area Classification	Zone 2 areas to EN 60079-10-1 and EN 60079-10-2 with installation to EN 60079-14
Certificate	Type Examination Certificate BAS04ATEX0393X
Coding	Ⓔ II 3 G Ex nAR II Refer to table for T class and Ambient
Enclosure	Painted aluminium body with glass globe. Silicone rubber gasket. Stainless steel fasteners
Entry	2 x M20 cable entries
Termination	3 core 6mm ² max. conductor with looping
Installation	Ceiling mounting
Windage	0.066m ²
Control Gear	Internal copper/iron ballast with ignitor and PFC correction capacitor
Relamping	Access via sealed lamp chamber
Burning Position	Up to 25° off vertical
Ingress Protection	IP66 to EN 60529
Electrical Supply	220, 230, 240, 254V 50Hz - 70 & 80W (HID) 220, 230, 240V 50Hz - 50, 100 & 125W (HID) 240V 50Hz - CF, 250Vmax. 150W GLS

Compact size and low weight

Easy access for wiring and control gear

Unrestricted breathing gear enclosure removes the need for special glands or cable

Corrosion resistant

Excellent light distribution

Suitable for a wide range of ambient temperatures from -45°C to +55°C, dependant on lamp type and wattage

Option available for Zone 22 combustible dust environments

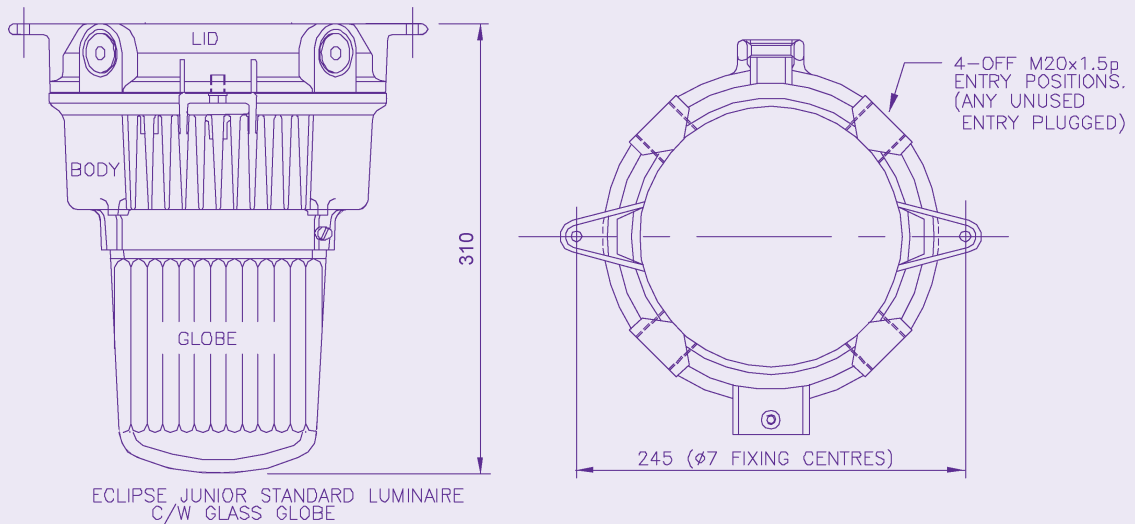
International Approvals

ATEX, GOST and CEPEL

Std. Cat No.	Wattage	Lamp	Lampholder	TClass	T°C (Dust)	Ambient °C	Weight
ECJN/050/HS	50W	HPS	E27	T4	130	-45 to +50	5.5kg
ECJN/070/MS	70W	HPS/Metal Halide	E27	T4	130	-45 to +50	6.0kg
ECJN/080/MV	80W	MBFU	E27	T3	135	-20 to +50	6.0kg
ECJN/125/MV	125W	MBFU	E27	T3	140	-20 to +40	6.5kg
ECJN/113/CF	1x13W	CFL	G24q	T4	130	-20 to +50	5.0kg
ECJN/118/CF	1x18W	CFL	G24q	T4	130	-20 to +50	5.0kg
ECJN/126/CF	1x26W	CFL	G24q	T4	130	-20 to +50	5.0kg
ECJN/150/GL	150W	GLS	E27	T4	100	-45 to +55	5.0kg

Options – Suffix to Catalogue No.

/___	Specific voltage (220,230,254)	/PE	Pendant mounted version
/60	60Hz	/NC	No capacitors
/WM	Wall mounted version	/D	Zone 22 dust applications
/ST	Stanchion mounted version		



Accessories Should be ordered separately

Catalogue Order Code

Wire guard (can be used in conjunction with reflectors)	E0850-0048
Dome reflector	SECL0-0001
30° Angled reflector	SECL0-0002

Product design and specifications are subject to change without notice, please check the Chalmit website for latest specifications.

