

The Lomond Ex d fluorescent is a conventional flameproof luminaire for use with linear and compact fluorescent lamps.

Its applications are where white instant light is needed. The aluminium and glass construction is suitable for aggressive chemical environments such as paint spraying, which could otherwise attack plastics. Single and twin lamp versions can be arranged to give high glare free lighting levels.

Emergency versions are available to run single lamps up to 58W at reduced power.

The emergency version with the 8W lamp is particularly suitable for over door lighting. This is supplied as a maintained fitting as standard, a non-maintained version is available as an option

The design features a single flameproof path giving rapid access for wiring, lamp replacement and to control gear. The cable entry is the simple direct type using flameproof cable glands



Standard Specification

Features

| | | |
|--------------------------|---|--|
| Type of Protection | Ex d (flameproof), Ex dm (flameproof encapsulation) emergency version | ATEX Approved |
| ATEX Classification | Group II Category 2 G D | Quick lamp start, flicker free |
| Area Classification | Zone 1 and 21 areas to EN 60079-10 with installation to EN 60079-14 | High frequency electronic control gear reduces running costs by up to 30% |
| Apparatus Standard | EN 60079-0, EN 60079-1, EN 60079-7, EN 50281-1-1 | Cool running improves T-rating |
| Certificate | EC Type Examination Certificate SIRA05ATEX1299X | Standard support channel allows for multiple fixing centres and options |
| Coding | ⊕ II 2 G D EEx d IIC (for 8W & 18W versions) ⊕ II 2 G D EEx d IIB (for 36W & 58W versions) | Suitable for high ambient areas |
| Enclosure | LM6 aluminium die cast alloy | Lightweight and low profile construction |
| Reflector/Geartray Entry | Borosilicate glass overtube, painted steel reflector 2 x M20 cable entries | Optional Exit Sign Kit for Emergency Escape Route Lighting Applications Zone 1 and 2 hazardous areas Overdoor emergency lighting Paint spraying Chemical industry Munitions storage Sewage treatment plants Engine rooms Walkways M.O.D. installations Distilleries Gas pumping stations |
| Termination | 3 core 4mm ² max. conductor with looping 4 core on emergency version (no looping on emergency) | |
| Installation | Via steel support rail | |
| Control Gear | High Frequency | |
| Relamping | Two socket head screws and tapered spigotted flamepath | |
| Lampholder | G13 (Bi-pin) | |
| Lamp Type | T 8 Bi-pin fluorescents | |
| Burning Position | Universal | |
| Ingress Protection | Ingress protection to IP66, IP67 and IP68 | |
| Electrical Supply | 220V - 254V, 47/63Hz AC/DC 100V - 130V, 47/63Hz AC/DC (N/A 8W Model) | |
| Emergency Output | 8W - 30% for 3 hours 18W - 14% for 3 hours 36W - 7% for 3 hours 58W - 5% for 3 hours | |

ATEX CATEGORY 2 ZONE 1 & 21 APPLICATIONS

| Std. Cat No. | Wattage | Lamp | Lampholder | T Class | Ambient °C | Weight |
|-----------------|---------|------|------------|---------|--------------|--------|
| LOMD/108/BI | 1x8W | T5 | G5 | T6 | 55 | 5.0kg |
| LOMD/208/BI | 2x8W | T5 | G5 | T6 | 55 | 5.5kg |
| LOMD/218/BI | 2x18W | T8 | G13 | T6 | 55 | 9.0kg |
| LOMD/136/BI | 1x36W | T8 | G13 | T5 | 55 (T6 @ 53) | 13.0kg |
| LOMD/236/BI | 2x36W | T8 | G13 | T5 | 55 (T6 @ 53) | 13.0kg |
| LOMD/158/BI | 1x58W | T8 | G13 | T5 | 55 (T6 @ 49) | 15.0kg |
| LOMD/258/BI | 2x58W | T8 | G13 | T5 | 55 (T6 @ 49) | 15.0kg |
| LOMD/108/BI/EM* | 1x8W | T5 | G5 | T6 | 55 | 10.5kg |
| LOMD/218/BI/EM | 2x18W | T8 | G13 | T6 | 55 | 13.5kg |
| LOMD/236/BI/EM | 2x36W | T8 | G13 | T5 | 55 (T6 @ 52) | 20.0kg |
| LOMD/258/BI/EM | 2x58W | T8 | G13 | T5 | 55 (T6 @ 48) | 22.3kg |

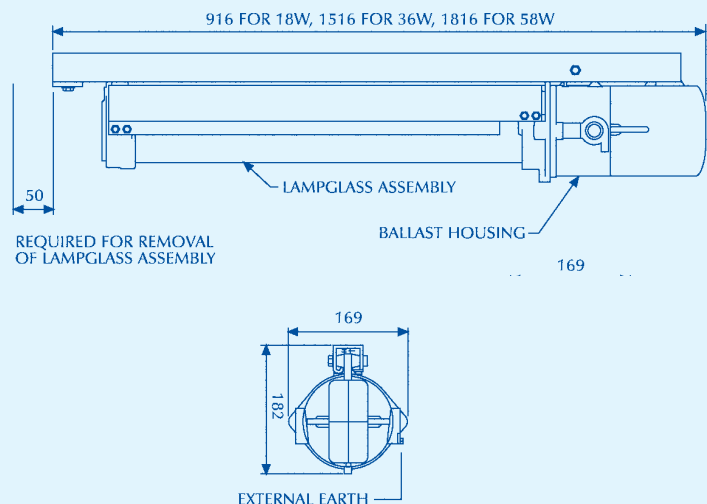
* Maintained as standard

Options - Suffix to Catalogue No.

/M25 M25 Entries

/SR Stainless steel support rail

/NM Non-Maintained (1x8W only)



Accessories (Should be ordered separately)

Catalogue Order Code

| | |
|--|--------------|
| Ceiling bracket | SLOMD-000001 |
| Right angle wall mounting brackets (S/S) | SLOMD-000012 |
| Wall mounting bracket (S/S) | SLOMD-000012 |
| Pole clamp (S/S) - (35/40mm diameter) | SLOMD-000004 |
| Pole clamp (S/S) - (40/50mm diameter) | SLOMD-000005 |
| Pole clamp (S/S) - (50/60mm diameter) | SLOMD-000006 |
| Pole clamp (S/S) - (60/70mm diameter) | SLOMD-000007 |
| Wire guard for 8W | SLOMD-000019 |
| Wire guard for 18W | SLOMD-000008 |
| Wire guard for 36W | SLOMD-000009 |
| Wire guard for 58W | SLOMD-000010 |
| Exit Sign (no direction) | SPATE-00005 |
| Exit Sign (up arrow) | SPATE-00006 |
| Exit Sign (down arrow) | SPATE-00007 |
| Exit Sign (right arrow) | SPATE-00008 |
| Exit Sign (left arrow) | SPATE-00009 |

Product design and specifications are subject to change without notice, please check the Chalmite website for latest specifications.



Electrical Products

Rev 09 - July 08