



The Nevis bulkhead is designed for low profile applications. It can be mounted on walls, handrails and ceilings making it ideal for walkways or restricted height areas. The wide ambient temperature range makes the Nevis suitable for extreme environmental conditions.

The Nevis has a side mounted increased safety terminal chamber. This eliminates the need for flameproof glands and allows for flush mounting with easy cable access.

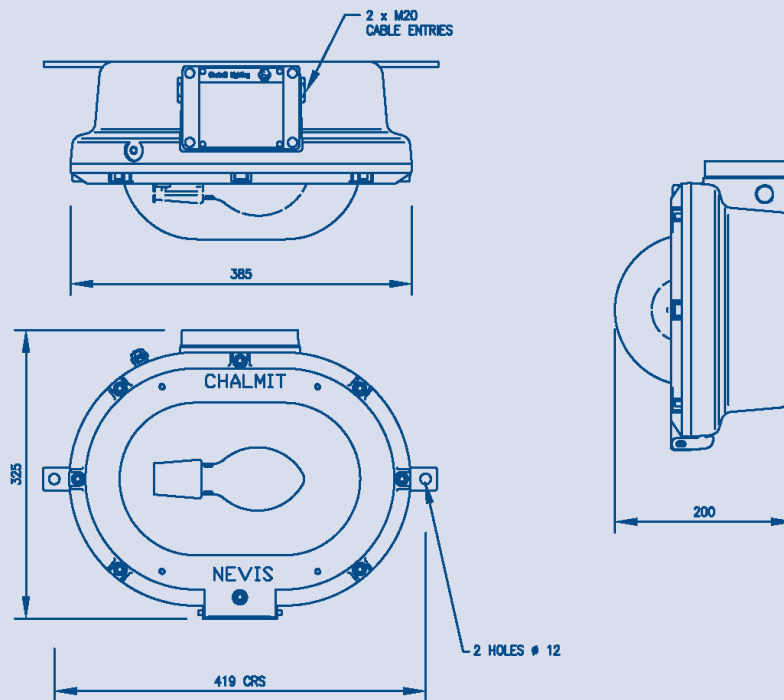
Standard Specification		Features
Type of Protection	Ex d e (Flameproof, Increased Safety)	Installation to gas groups IIA and IIB
ATEX Classification	Group II Category 2 GD	Ex e cable entries and looping as standard
Area Classification	Zone 1 and Zone 21 areas to EN 60079-10-1 and EN 60079-10-2 with installation to EN 60079-14 Gas Groups IIA and IIB	Hinged front cover
Certificate	EC Type Examination Certificate Baseefa08ATEX0178	Captive cover screws
Coding	Ⓔ II Ex d e IIB Refer to table for T rating and Ambient	High ingress protection
Enclosure	Aluminium alloy LM6 to BS 1490 (AC44100) All fastenings A4 stainless steel Toughened glass dome cover	Internal reflector options
Internal Reflector	High purity anodised aluminium	Low temperature applications to -55°C
Entry	2 x M20 cable entries	Compact construction
Termination	3 core 6mm ² max. conductor with looping	
Installation	Flush mounting bracket	
Control Gear	Internal copper/iron with PFC correction capacitor	
Relamping	Access via hinged front glass cover assembly	
Burning Position	Universal	
Ingress Protection	IP66/67 to EN 60529	
Electrical Supply	220, 230, 240, 254V 50Hz - 70 HPS/Metal Halide 220, 230, 240V 50Hz - 80 and 125W MBF/U 250V Max GLS/MBTF 240V - CF 220-240V QL	
		International Approvals
		ATEX and GOST
		IECEx Compliant

Std. Cat No.	Wattage	Lamp	TClass	T°C (Dust)	Ambient °C	Weight
NEVD/050/HS	50W	HPS	T4	125	-55 to +55	12.5kg
NEVD/070/MS	70W	HPS and Metal Halide	T4	125	-55 to +55	12.5kg
NEVD/080/MV	80W	Mercury Vapour	T4	130	-20 to +55	12.0kg
NEVD/125/MV	125W	Mercury Vapour	T3	140	-20 to +40	12.0kg
NEVD/200/GL	200W	GLS	T3	165	-55 to +55	11.5kg
NEVD/118/CF	18W	Compact Fluorescent	T5	80	-55 to +55	11.9kg
NEVD/126/CF	26W	Compact Fluorescent	T5	80	-55 to +55	11.9kg
NEVD/160/MB	160W	MBTF	T3	155	-55 to +40	11.5kg
NEVD/055/QL	55W	QL	T5	98	-55 to +55	13.5kg

Note: Please specify voltage at time of enquiry/order

Options – Suffix to Catalogue No.

/120	120V, 50/70W HPS, 70W Metal Halide Compact fluorescent and QL lamp	/P	PTFE coating
/60	60Hz	/TI	Timed ignitor
/M25	M25 cable entries	/NC	No power factor correction capacitors fitted



Accessories Should be ordered separately

Catalogue Order Code

Pole mounting bracket assembly (38-50mm diameter poles)	SNEV1-0001
Wire guard	SNEV1-0002
Hand rail mounting bracket assembly	SNEV4-0003

Product design and specifications are subject to change without notice, please check the Chalmit website for latest specifications.

