

The NexLED bulkhead luminaire utilises high output 1 Watt light emitting diodes (LED's) that provide a white, instant light that is highly visible. Suitable for Zone 1, the protection is increased safety, encapsulated.

Bulkheads offer a compact and versatile solution for many applications, especially in exposed conditions with high levels of dust and moisture.

The enclosure is corrosion resistant marine grade aluminium with a toughened glass cover, silicone rubber sealing gasket and stainless steel fixings. The product can be fitted with either two or eight low power LED's making the NexLED an efficient luminaire for both mains and emergency mode operation from the backup battery. The use of LED technology means that light output in emergency mode is identical to mains operation, lamps switch off for one second when the mains fail then restart to indicate battery operation.

The bulkhead is simple to install, easy to maintain and durable. The LED's are more efficient than incandescent and most tungsten halogen lights and operate for up to 50000 hours eliminating relamping in many applications. This new lamp technology emits no heat forward, no ultra violet light, is mercury free and is not susceptible to vibration. Suitable for a wide range of ambient temperatures from -45°C to +55°C with light output unaffected by low temperatures. Where emergency lighting is required in ambient temperatures below -5°C the NexLED is available with a heated battery compartment which maintains the batteries at the required temperature to sustain emergency duration.



### Standard Specification

### Features

Type of Protection	Ex e ib mb (Increased Safety, Intrinsically Safe Encapsulated) Dust protected enclosure	Highly visible, instant light Easy to install and maintain
ATEX Classification	Group II Category 2 G D	Ultra long life, no relamping required
Area Classification	Zone 1 and Zone 21 areas to EN 60079-10 and EN 50281-3 with installation to EN 60079-14 and EN 50281-1-2 Gas Group II to EN 60079-14	Very low power consumption
Apparatus Standard	EN 60079-0, EN 60079-7, EN 60079-11, EN60079-18 and EN 50281-1-1	100% output in emergency mode (Up to 3 hours)
Certificate	EC Type Examination Certificate Baseefa04ATEX0245	Rechargeable Ni-Cd batteries with charging indication
Coding	⊕ II 2G Ex e ib mb IIC T4 (Tamb = -20°C to +55°C ⊕ II 2G T100°C)	Compatible with UPS systems
Enclosure	Cast aluminium with toughened glass and silicone gasket	GOST Approval (pending)
Reflector	Brushed aluminium	
Entry	2 x M20 cable entries	
Termination	4 core 6mm max conductor with looping	
Installation	Surface mounted, 4 mounting holes located outside of seal	
Lamp Type	2 x 1W light emitting diodes or 8 x 1W light emitting diodes. Colour: white	
Control Gear	Electronic	
Burning Position	Universal	
Ingress Protection	IP66/67 to EN 60529	
Emergency Duration	8W version - 90 minutes 2W version - 3 hours	
Electrical Supply	110-254V AC/DC	

# ATEX CATEGORY 2 ZONE 1 & 21 APPLICATIONS

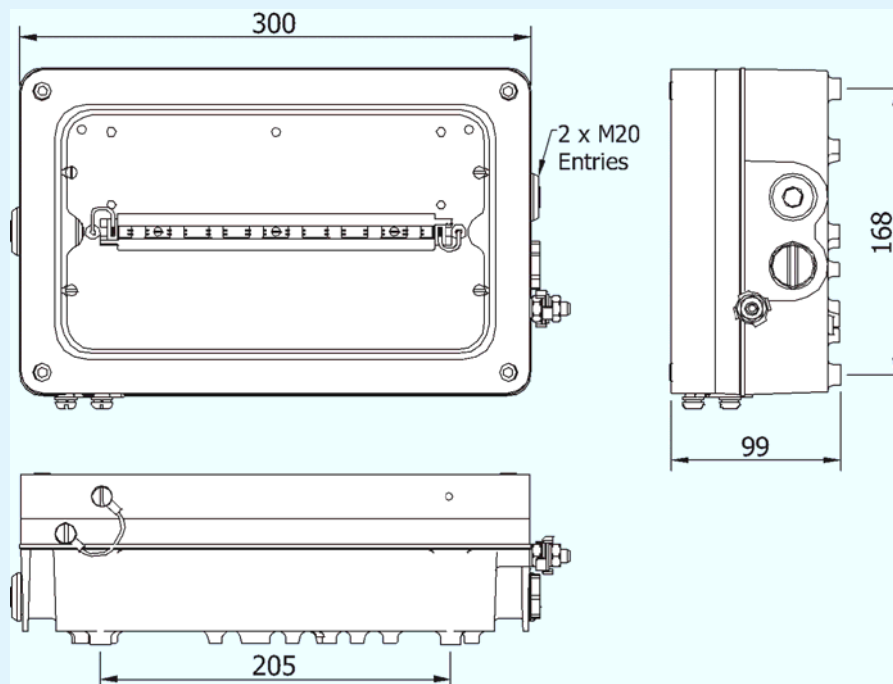
Std. Cat No.	Wattage	Lamp	TClass	T°C (Dust)	Ambient °C	Weight
NELE/201/LE/EM	2W	Light Emitting Diode	T4	100	-20 to 55	4.0kg
NELE/801/LE/EM	8W	Light Emitting Diode	T4	100	-20 to 55	4.1kg

## Options - Suffix to Catalogue No.

/LT Low Temperature -45°C to +55°C

## Applications

Harsh and low temperature environments • Localised lighting, low level lighting  
Stairwells, gantry and walkways • Process skids, cable tray areas • Marine void spaces with low overheads  
Paint and solvent storage rooms • Gas Pumping stations



## Accessories (Should be ordered separately)

Exit legend kit assembly (4 labels - up, down, left and right)

## Catalogue Order Code

SNEL1-0008

Product design and specifications are subject to change without notice, please check the Chalmit website for latest specifications.