

PROTECTA III

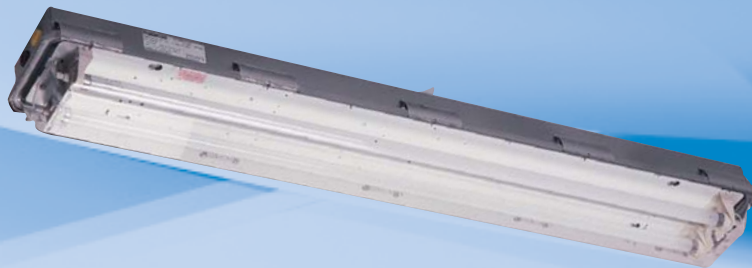
STAINLESS STEEL Ex e FLUORESCENT

The Protecta III is also available with a stainless steel body version, this is intended for applications where a risk of mechanical damage or exposure to chemical agents exists.

The Protecta stainless steel version shares the technical features of the GRP bodied range being rugged and technically advanced. The emergency version has comprehensive self testing and an internal battery with all the control gear mounted together on a gear tray.

The product has excellent durability as it is constructed using stainless steel with a polycarbonate diffuser. The product is intended for applications where a risk of mechanical damage or exposure to chemical agents exists.

The strong, simple and reliable enclosure affords a high degree of ingress protection. The ease of access to lamps and control gear ensures that installation and maintenance will be completed quickly and efficiently.



EOL Protected

Standard Specification

Features

Type of Protection	Ex eqm (Increased safety Powder filling Encapsulation)	Simple rugged construction
ATEX Classification	Group II Category 2 G D	Hinged cover with easily removeable cover clamps
Area Classification	Zone 1 and Zone 21 areas to EN60079-10 and EN 50281-3 with installation to EN 60079-14 and EN 50281-1-2	Standard fixing centres
Apparatus Standard	EN 50014 EN 50017 EN 50019 EN 50028 EN 50281-1-1	High frequency control gear gives 50/60Hz operation, high power factor correction and regulation of lamp output
Certificate	EC Type Examination Certificate Baseefa04ATEX0220	Automatic lamp de-energisation on opening
Coding	⊕ II 2 G D EEx eqm II T4 Tamb 55°C (45°C for emergency version)	Screwless mains terminals
Enclosure	Stainless steel body with polycarbonate cover	Resistance to voltage fluctuations
Reflector/Geartray	White polyester painted zinc coated steel	Battery management, monitoring and automatic self test
Entry	4 x M20 cable entries, 2 at each end	Ability to detect and indicate impending end of emergency lamp life before actual failure
Termination	3 core 6mm ² max. conductor with looping and 16A rating through wiring (4 core for emergency)	GOST and CSA Approved
Installation	Two M8 tapped stainless steel inserts located on rear of body	IEC Ex Compliant
Lampholder:	Fa6 Cap (Mono-pin), G13 (Bi-pin)	End of life (EOL) protection to IEC 60079-7 (with EOL I and EOL II functionality)
Lamp Type	T8 tubular fluorescent	
Control Gear	High Frequency	
Relamping	Quick release diffuser clamps and hinged cover	
Burning Position	Universal	
Ingress Protection	IP66 to EN 60529	
Electrical Supply	220V - 254V 50/60Hz 220V - 300V dc (non-emergency only)	
Battery	Internal Ni-Cd Battery (6V 4 Ah)	
Duration	90 minutes to EN60598-2-22 (3H option)	
Emergency Output	50% of one lamp (18W) 25% of one lamp (36W), 45% - HEO option	

ATEX CATEGORY 2 ZONE 1 & 21 APPLICATIONS

Std. Cat No.	Part No.	Wattage	Weight
PRSE/218/BI	510231	2x18W	6.0kg
PRSE/236/BI	510431	2x36W	9.6kg
PRSE/218/BI/EM	512231	2x18W	9.1kg
PRSE/236/BI/EM	512431	2x36W	12.5kg
PRSE/218/MO	510239	2x18W	6.0kg
PRSE/236/MO	510439	2x36W	9.6kg
PRSE/218/MO/EM	512239	2x18W	9.1kg
PRSE/236/MO/EM	512439	2x36W	12.5kg

Options - Suffix to Catalogue No.

/120	110/130V
/M25	M25 Entries
/3P	3 phase termination facility (Not available if looping required)
/LBE	Looping both sides
/EL	Extra live termination facility (compatible with 4 core switched emergency circuits)
/3H	3 hour battery duration
/HEO	High emergency output 90 minute duration (36W only)

MO - Mono-pin lamps

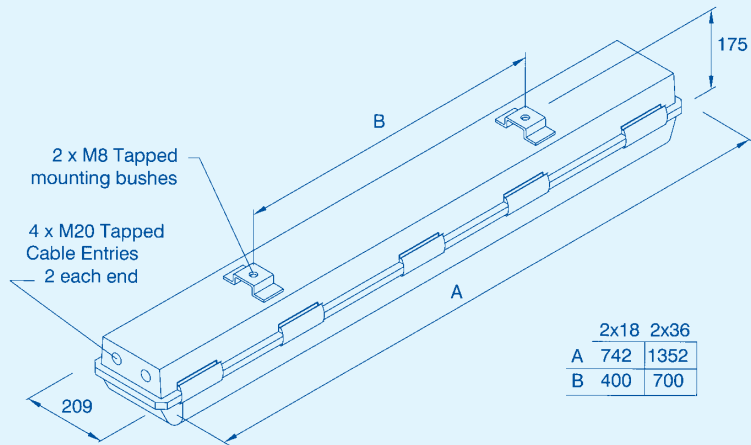
Mono-pin coding: EEx eqd IIC

Mono-pin emergency coding: EEx eqdm IIC

Dust only version (PRSU/___) available.

Applications

Zone 1 and 2 hazardous areas • Ideal for harsh and corrosive environments
Offshore oil and gas platforms • Petrochemical industry
Sewage treatment plants • Walkways and access areas
FPSO's and FSO's vessels • Chemical industries • Distilleries



Accessories (Should be ordered separately)

Catalogue Order Code

Offset ceiling bracket assembly kit	SPRO4-0002
Pole mounting bracket assembly (38/50mm diameter poles)	SPRO4-0003
C' form hook type ceiling bracket assembly kit	SPRO4-0005
Flush mounted wall bracket assembly kit	SPRO4-0006
18W wall mounting outreach bracket (use with SPRO4-0003)	NPRO4-0008
36W wall mounting outreach bracket (use with SPRO4-0003)	NPRO4-0012
Eyebolt kit	SPRO5-0005
Looping kit (allows looping from both ends of luminaire)	SPROT-0021
Remote Ex switch for emergency inhibition (1 switch controls up to 10 luminaires)	SPROT-0033

Product design and specifications are subject to change without notice, please check the Chalmit website for latest specifications.



Electrical Products

Rev 05 - November 07