



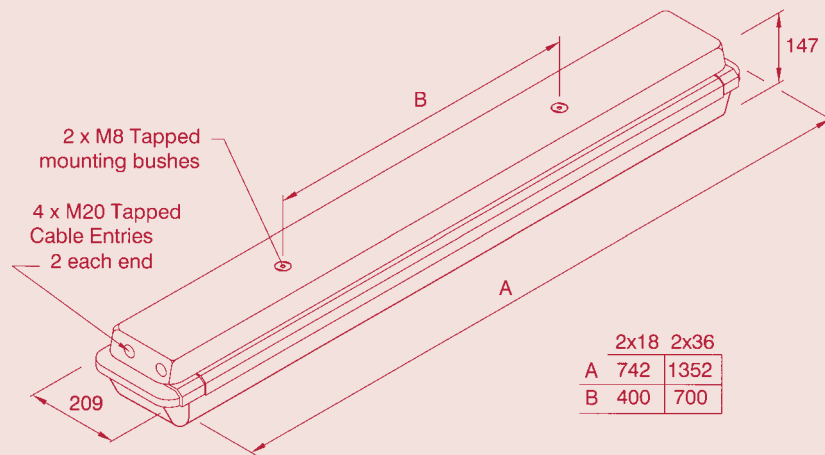
The Protecta Industrial has the same rugged and proven design as the Ex Protecta. This includes high ingress protection with DTS-01 deluge compliance and vibration resistance in accordance with Lloyds/DNV standards. The Emergency version also features an internal battery to allow operation in the event of mains power failure.

Standard Specification		Features
Ingress Protection	IP66/67 to EN60529	Simple rugged construction
Enclosure	GRP body with clear polycarbonate diffuser and brass suspension points	Full length easy access diffuser clamp
Entries	4 x M20 cable entries (2 each end)	Standard fixing centres
Termination	Quick release mains terminals - 3 core 4mm ² max. conductor with looping and 16A rating through wiring. (6mm ² terminations available - /SC option)	High frequency control gear gives 50/60Hz operation, high power factor correction and regulation of lamp output
Reflector/Gear-tray	White polyester painted zinc coated steel	Quick release mains terminals
Mounting	Two M8 brass inserts on rear of body	DTS-01 deluge tested
Control Gear	High Frequency ballast & inverter c/w battery pack	Vibration tested to comply with Lloyds/DNV
Relamping	Via quick-release diffuser clamp and hinged diffuser	Optional battery monitoring and self-testing control gear
Electrical Supply	220-240V 50/60Hz	
Battery	Ni-Cd (6V)	
Duration	3 Hours to EN 60598-2-22	
Emergency Output	32% of one lamp (18W) 14% of one lamp (36W)	

Std. Cat No.	Wattage	Lamp	TClass	Lampholder	Weight
PRGI/118/BI/EM	1x18W	Fluorescent	T8	G13	8.1kg
PRGI/218/BI/EM	2x18W	Fluorescent	T8	G13	8.3kg
PRGI/136/BI/EM	1x36W	Fluorescent	T8	G13	12.2kg
PRGI/236/BI/EM	2x36W	Fluorescent	T8	G13	12.4kg

Options – Suffix to Catalogue No.

/120	110-130V	/SC	Screwed connection terminal block (up to 6mm ² conductors)
/NM	Non-maintained (single lamp models only)	/SB	Stainless steel mounting bush
/MF	Mains fuse	/LBE	Looping both ends
/3P	3 phase termination facility (not available if through wiring is required)	/BMT	Battery monitoring and self-test
/M25	M25 cable entry	/SE	Spigot entry



Accessories Should be ordered separately

Catalogue Order Code

Pole mounting bracket assembly (38-42mm diameter poles)	SPOL4-100001
Pole mounting bracket assembly (48-52mm diameter poles)	SPOL4-100002
Pole mounting bracket assembly (58-62mm diameter poles)	SPOL4-100003
Hook type ceiling bracket assembly	SPRO4-0005
Ceiling bracket assembly	SPRO4-0002
Flush mounting wall bracket assembly	SPRO4-0006
Eyebolt mounting assembly	SPRO5-0005
Looping Kit (allows looping from both ends of luminaire)	SPROT-0021
18W wall mounting outreach bracket (use with SPOL4-100001)	NPRO4-0008
36W wall mounting outreach bracket (use with SPOL4-100001)	NPRO4-0012

Product design and specifications are subject to change without notice, please check the Chalmit website for latest specifications.

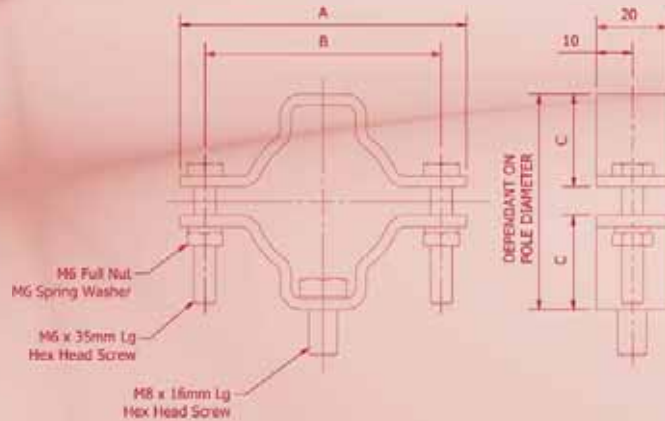


Pole Mounting Bracket Assembly

Cat No. SPOL4-100001/100002/100003



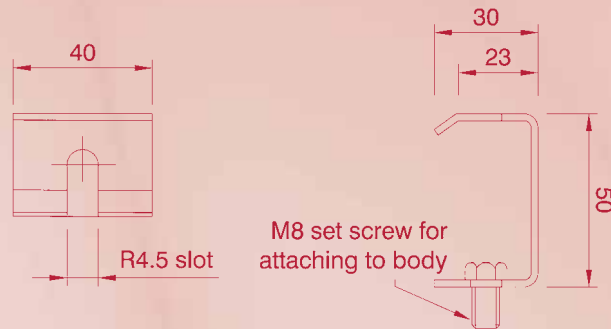
Pole mounting bracket to suit pole diameter
 (38-42mm) SPOL4-100001
 (48-52mm) SPOL4-100002
 (58-62mm) SPOL4-100003



PART DETAILS				
Part Code	Part Description	A	B	C
SPOL4-100001	PROTECTA 38-42 P/M ASSY	80mm	66mm	26mm
SPOL4-100002	PROTECTA 48-52 P/M ASSY	90mm	76mm	32mm
SPOL4-100003	PROTECTA 58-62 P/M ASSY	96mm	80mm	38mm

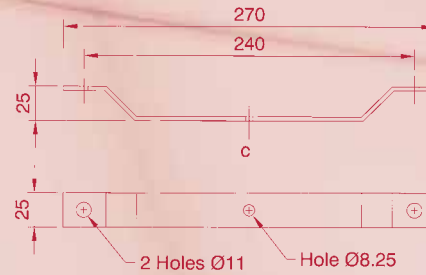
Hook Type Ceiling Bracket Assembly

Cat No. SPRO4-0005



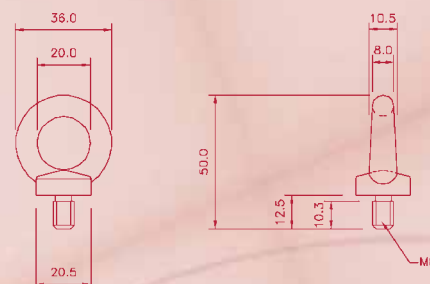
Ceiling Mounting Bracket Assembly

Cat No. SPRO4-0002



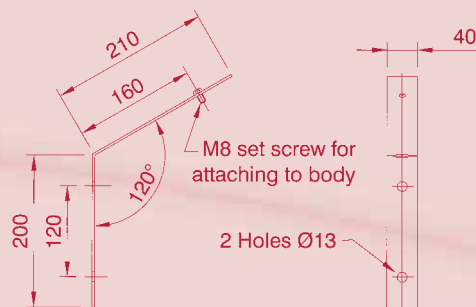
Eyelet Mounting Assembly

Cat No. SPRO5-0005



Flush Mounting Wall Bracket Assembly

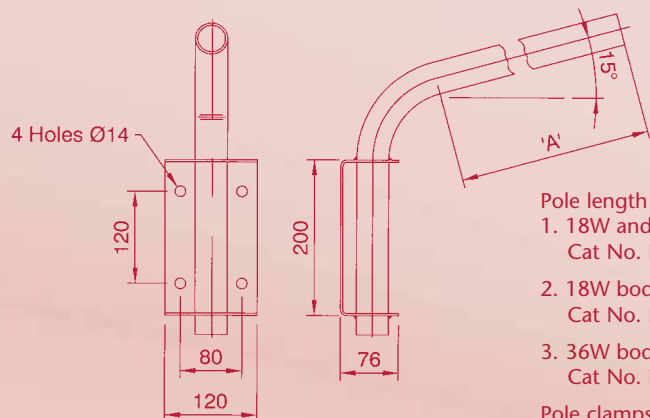
Cat No. SPRO4-0006



Note: All brackets are made from 316 Stainless Steel

Wall Mounting Outreach Bracket

Cat No. NPRO4-0007/0008/0012



Pole length 'A' for use with the following:

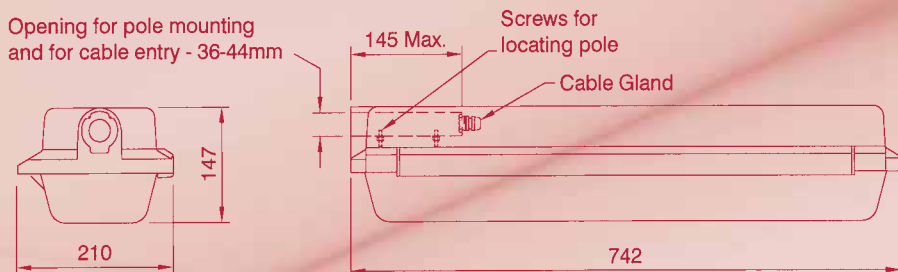
1. 18W and 36W spigot entry body, size 'A' = 250mm
Cat No. NPRO4-0007
2. 18W body c/w pole clamps (SPOL4-100001), size 'A' = 650mm
Cat No. NPRO4-0008
3. 36W body c/w pole clamps, (SPOL4-100001) size 'A' = 1100mm
Cat No. NPRO4-0012

Pole clamps for items 2 & 3 must be ordered separately, see SPOL4-100001



18W Spigot Entry

Cat No. PRGE/218/B/SE



36W Spigot Entry

Cat No. PRGE/236/B/SE

