



Utilising the same reliable design of the standard Protecta III, the emergency version also features intelligent battery and lamp management technology. The luminaire is capable of self commissioning and routine self-testing to ensure safe and dependable emergency operation.

A high emergency output version is also available that increases the lumen output in emergency mode.

| Standard Specification | | Features |
|------------------------|---|---|
| Type of Protection | Ex e mb q (Increased safety Encapsulation Powder filling) | Ability to detect and indicate impending end of emergency lamp life before actual failure |
| ATEX Classification | Group II Category 2 GD | Battery management, monitoring and automatic self test |
| Area Classification | Zone 1 and 21 areas to EN 60079-10-1 and EN 60079-10-2 with installation to EN 60079-14 | Emergency inhibition and mains power off re-start |
| Certificate | EC Type Examination Certificate Baseefa04ATEX0220 | Automatic lamp de-energisation on opening |
| Coding | Ⓔ II 2 GD Ex e mb q IIC T4 Tamb 55°C | DTS-01 deluge tested |
| Enclosure | GRP body with polycarbonate cover and brass suspension points | Vibration tested to comply with Lloyds/DNV |
| Reflector/Geartray | White polyester painted zinc coated steel | End of life (EOL) protection to IEC 60079-7 (with EOL I and EOL II functionality) |
| Entry | 4 x M20 cable entries, 2 at each end | |
| Termination | Quick release mains terminals - 4 core 4mm ² max. conductor with looping and 16A rating through wiring. (6mm ² terminations available - /SC option) | |
| Installation | Two M8 tapped brass inserts located on rear of body | |
| Control Gear | High Frequency | |
| Relamping | Quick release diffuser clamp and hinged cover | |
| Lampholder | G13 (Bi-pin) | |
| Burning Position | Universal | |
| Ingress Protection | IP66/67 to EN 60529 | |
| Electrical Supply | 220V - 254V 50/60Hz | |
| Battery | Internal Ni-Cd (6V) | |
| Duration | 90 minutes to EN 60598-2-22 | |
| Emergency Output | 50% of one lamp (18W) 25% of one lamp (36W) | |
| | | International Approvals |
| | | ATEX, GB (China), GOST, CSA and CEPEL |
| | | IECEx Compliant |

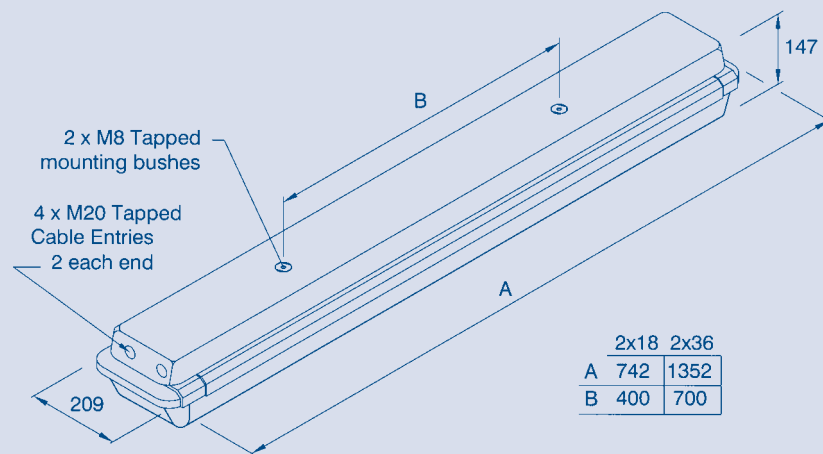
| Std. Cat No. | Wattage | Lamp | TClass | T°C (Dust) | Ambient °C | Weight |
|----------------|---------|------|--------|------------|------------|--------|
| PRGE/218/BI/EM | 2x18W | T8 | T4 | 85 | -20 to +55 | 8.3kg |
| PRGE/236/BI/EM | 2x36W | T8 | T4 | 85 | -20 to +55 | 12.4kg |
| PRGE/218/MO/EM | 2x18W | T8 | T4 | 85 | -20 to +55 | 8.3kg |
| PRGE/236/MO/EM | 2x36W | T8 | T4 | 85 | -20 to +55 | 12.4kg |

MO - Mono-pin (Fa6 Cap) Lamps. Mono-pin Coding: Ex d e mb q IIC.

Options – Suffix to Catalogue No.

| | | | |
|------|---|------|---|
| /120 | Specific voltage (110/130) | /LBE | Looping both ends |
| /M25 | M25 cable entries | /HEO | High emergency output - 45% (36W only) |
| /SC | Screwed connection terminal block (up to 6mm ² conductors) | /3H | 3 hour battery duration* |
| /SB | Stainless steel mounting bush | /RI | Remote emergency inhibition facility (External switch ordered separately) |
| /3P | 3 phase termination facility (Not available if looping required) | /SE | Spigot entry |

* 18W = 30% of one lamp, 36W = 25% of one lamp



Accessories Should be ordered separately

Catalogue Order Code

| | |
|---|--------------|
| Pole mounting bracket assembly (38-42mm diameter poles) | SPOL4-100001 |
| Pole mounting bracket assembly (48-52mm diameter poles) | SPOL4-100002 |
| Pole mounting bracket assembly (58-62mm diameter poles) | SPOL4-100003 |
| Hook type ceiling bracket assembly | SPRO4-0005 |
| Ceiling mounting bracket assembly | SPRO4-0002 |
| Eyebolt mounting assembly | SPRO5-0005 |
| Flush mounting wall bracket assembly | SPRO4-0006 |
| Looping kit (allows looping from both ends of luminaire) | SPROT-0021 |
| Remote Ex switch for emergency inhibition (1 switch controls up to 10 luminaires) | SPROT-0033 |

Product design and specifications are subject to change without notice, please check the Chalmit website for latest specifications.

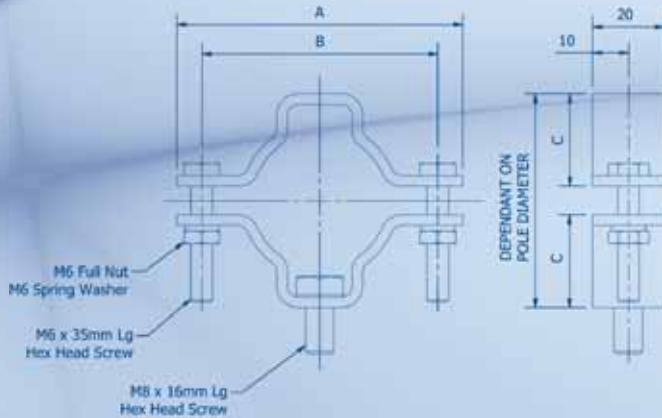


PROTECTA III

3

Pole Mounting Bracket Assembly

Cat No. SPOL4-100001/100002/100003

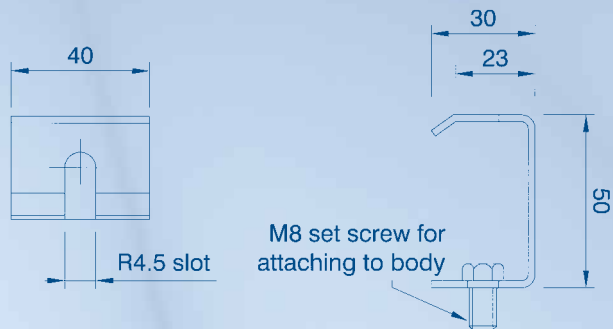


Pole mounting bracket to suit pole diameter
 (38-42mm) SPOL4-100001
 (48-52mm) SPOL4-100002
 (58-62mm) SPOL4-100003

| PART DETAILS | | | | |
|--------------|-------------------------|------|------|------|
| Part Code | Part Description | A | B | C |
| SPOL4-100001 | PROTECTA 38-42 P/M ASSY | 80mm | 66mm | 26mm |
| SPOL4-100002 | PROTECTA 48-52 P/M ASSY | 90mm | 76mm | 32mm |
| SPOL4-100003 | PROTECTA 58-62 P/M ASSY | 96mm | 80mm | 38mm |

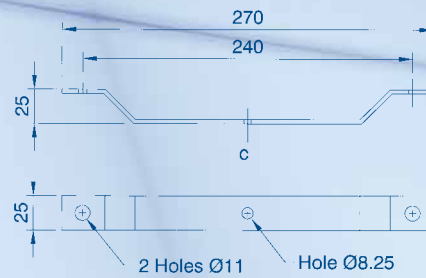
Hook Type Ceiling Bracket Assembly

Cat No. SPRO4-0005



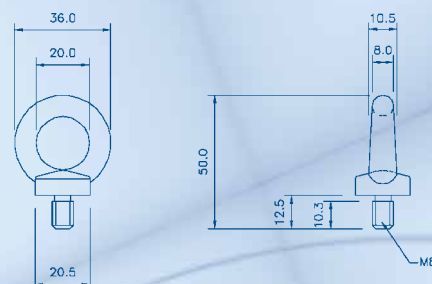
Ceiling Mounting Bracket Assembly

Cat No. SPRO4-0002



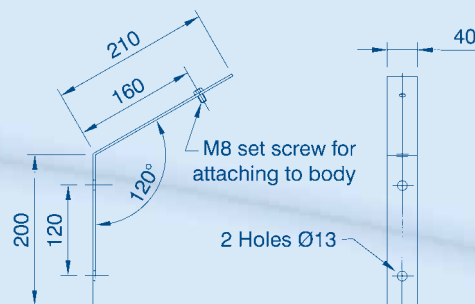
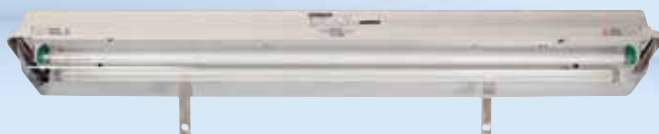
Eyelet Mounting Assembly

Cat No. SPRO5-0005



Flush Mounting Wall Bracket Assembly

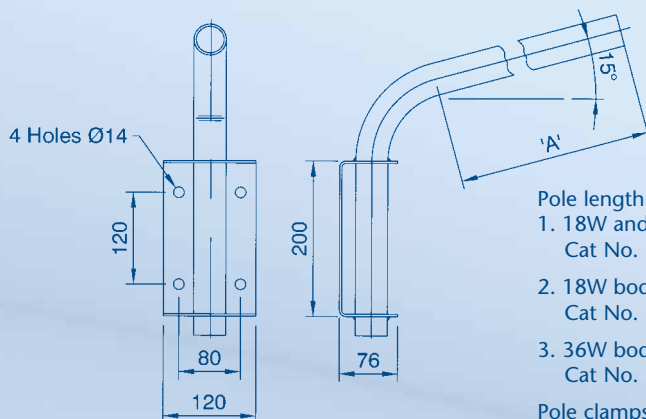
Cat No. SPRO4-0006



Note: All brackets are made from 316 Stainless Steel

Wall Mounting Outreach Bracket

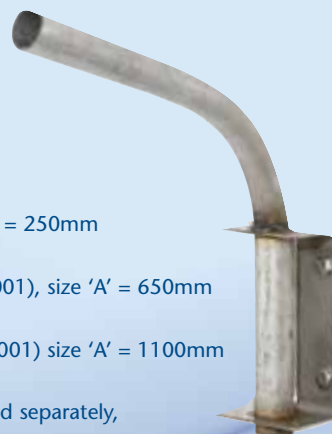
Cat No. NPRO4-0007/0008/0012



Pole length 'A' for use with the following:

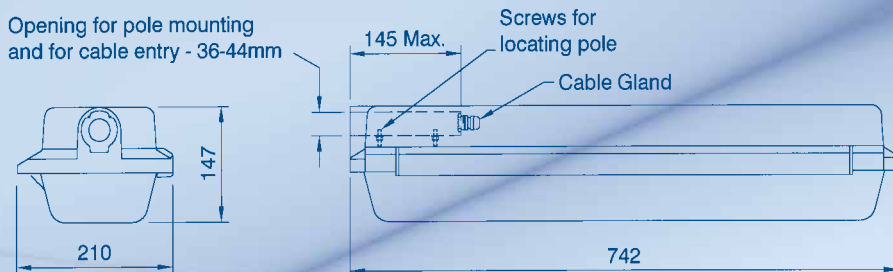
1. 18W and 36W spigot entry body, size 'A' = 250mm
Cat No. NPRO4-0007
2. 18W body c/w pole clamps (SPOL4-100001), size 'A' = 650mm
Cat No. NPRO4-0008
3. 36W body c/w pole clamps, (SPOL4-100001) size 'A' = 1100mm
Cat No. NPRO4-0012

Pole clamps for items 2 & 3 must be ordered separately, see SPOL4-100001



18W Spigot Entry

Cat No. PRGE/218/BI/SE



36W Spigot Entry

Cat No. PRGE/236/BI/SE

