

PROTECTA III S/S STAINLESS STEEL

Ex e FLUORESCENT

1



The Protecta III is also available in a stainless steel body version. This incorporates the same design and monitoring features found in the GRP body Protecta. The increased durability of its stainless steel construction makes this luminaire ideal for applications where there is a high risk of mechanical damage or exposure to chemical agents.

Standard Specification		Features
Type of Protection	Ex e mb q (Increased safety Encapsulation Powder filling)	316 Stainless steel body and clamp bar
ATEX Classification	Group II Category 2 GD	Advanced control gear gives 50/60Hz operation, high power correction factor and regulated lamp output that is 20% greater at -20°C
Area Classification	Zone 1 and Zone 21 areas to EN60079-10-1 and EN 60079-10-2 with installation to EN 60079-14	Automatic lamp de-energisation on opening
Certificate	EC Type Examination Certificate Baseefa04ATEX0220	Resistance to voltage fluctuations
Coding	Ⓔ II 2 GD Ex e mb q IIC T4 Tamb 55°C (45°C for emergency version)	Battery management, monitoring and automatic self test
Enclosure	Marine grade 316S31 stainless steel body with polycarbonate cover	dc operation (non-emergency only)
Reflector/Geartray	White polyester painted zinc coated steel	Ability to detect and indicate impending end of emergency lamp life before actual failure
Entry	4 x M20 cable entries, 2 at each end	End of life (EOL) protection to IEC 60079-7 (with EOL I and EOL II functionality)
Termination	Quick release mains terminals - 3 core 4mm ² max. conductor with looping and through wiring facility. 4 core 4mm ² connectors on emergency). (6mm ² terminations available - /SC option)	International Approvals
Installation	Two M8 tapped stainless steel inserts located on rear of body	ATEX, GB (China), GOST, CSA and CEPIL
Lampholder	G13 (Bi-pin)	IECEX Compliant
Control Gear	High Frequency	
Relamping	Quick release diffuser clamps and hinged cover	
Burning Position	Universal	
Ingress Protection	IP66 to EN 60529	
Electrical Supply	220V - 254V 50/60Hz 220V - 300V dc (non-emergency only)	
Battery	Internal Ni-Cd (6V)	
Duration	90 minutes to EN60598-2-22	
Emergency Output	50% of one lamp (18W) 25% of one lamp (36W)	

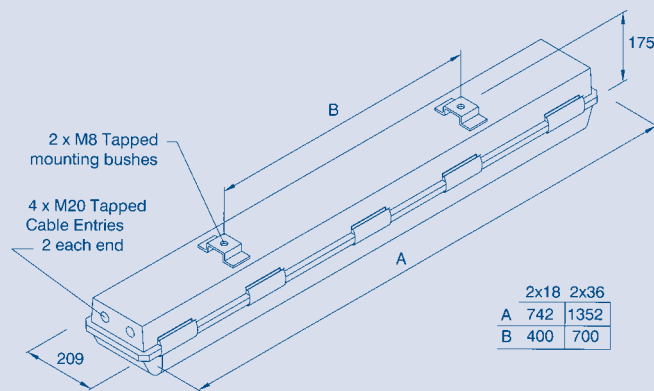
Std. Cat No.	Wattage	Lamp	TClass	T°C (Dust)	Ambient °C	Weight
PRSE/218/BI	2x18W	T8	T4	85	-20 to +55	6.0kg
PRSE/236/BI	2x36W	T8	T4	85	-20 to +55	9.6kg
PRSE/218/BI/EM	2x18W	T8	T4	85	-20 to +45	9.1kg
PRSE/236/BI/EM	2x36W	T8	T4	85	-20 to +45	12.5kg
PRSE/218/MO	2x18W	T8	T4	85	-20 to +55	6.0kg
PRSE/236/MO	2x36W	T8	T4	85	-20 to +55	9.6kg
PRSE/218/MO/EM	2x18W	T8	T4	85	-20 to +45	9.1kg
PRSE/236/MO/EM	2x36W	T8	T4	85	-20 to +45	12.5kg

MO - Mono-pin (Fa6 Cap) Lamps. Mono-pin Coding: Ex d e q. Mono-pin emergency coding: Ex d e mb q IIC.

Options – Suffix to Catalogue No.

/120	Specific voltage (110/130V)	/LBE	Looping both ends
/M25	M25 cable entries	/EL	Extra live termination facility (compatible with 4 core switched emergency circuits)
/SC	Screwed connection terminal block (up to 6mm ² conductors)	/HEO	High emergency output - 45% (36W only)
/3P	3 phase termination facility (Not available if looping required)	/3H	3 hour battery duration*

* 18W = 30% of one lamp, 36W = 25% of one lamp



Accessories should be ordered separately

Catalogue Order Code

Pole mounting bracket assembly (38-42mm diameter poles)	SPOL4-100001
Pole mounting bracket assembly (48-52mm diameter poles)	SPOL4-100002
Pole mounting bracket assembly (58-62mm diameter poles)	SPOL4-100003
Hook type ceiling bracket assembly	SPRO4-0005
Ceiling mounting bracket assembly	SPRO4-0002
Eyebolt mounting assembly	SPRO5-0005
Flush mounting wall bracket assembly	SPRO4-0006
Looping kit (allows looping from both ends of luminaire)	SPROT-0021
Remote Ex switch for emergency inhibition (1 switch controls up to 10 luminaires)	SPROT-0033

Product design and specifications are subject to change without notice, please check the Chalmit website for latest specifications.



PROTECTA III

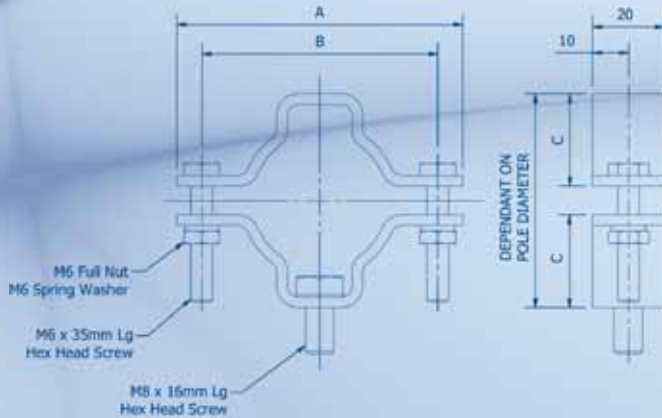
3

Pole Mounting Bracket Assembly

Cat No. SPOL4-100001/100002/100003



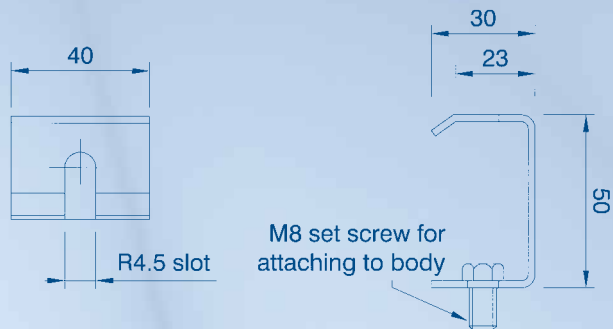
Pole mounting bracket to suit pole diameter
 (38-42mm) SPOL4-100001
 (48-52mm) SPOL4-100002
 (58-62mm) SPOL4-100003



PART DETAILS				
Part Code	Part Description	A	B	C
SPOL4-100001	PROTECTA 38-42 P/M ASSY	80mm	66mm	26mm
SPOL4-100002	PROTECTA 48-52 P/M ASSY	90mm	76mm	32mm
SPOL4-100003	PROTECTA 58-62 P/M ASSY	96mm	80mm	38mm

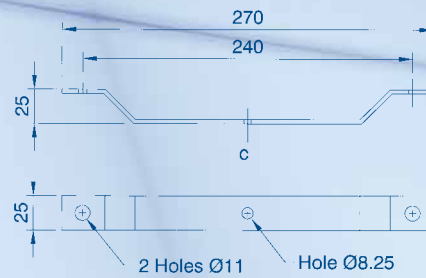
Hook Type Ceiling Bracket Assembly

Cat No. SPRO4-0005



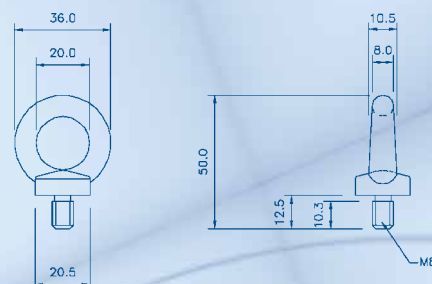
Ceiling Mounting Bracket Assembly

Cat No. SPRO4-0002



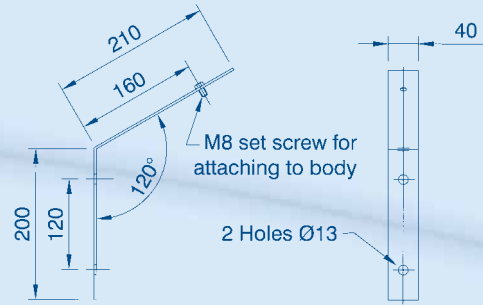
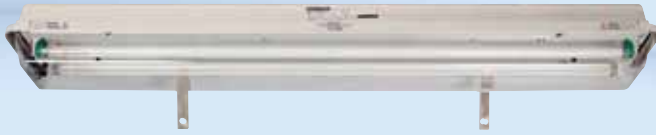
Eyelet Mounting Assembly

Cat No. SPRO5-0005



Flush Mounting Wall Bracket Assembly

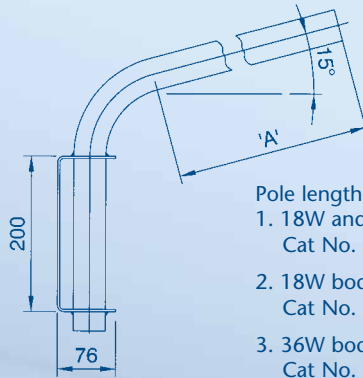
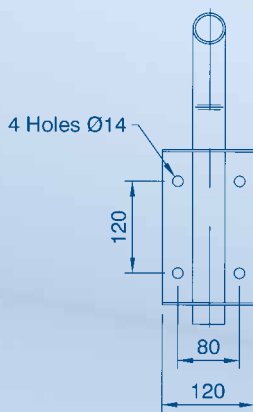
Cat No. SPRO4-0006



Note: All brackets are made from 316 Stainless Steel

Wall Mounting Outreach Bracket

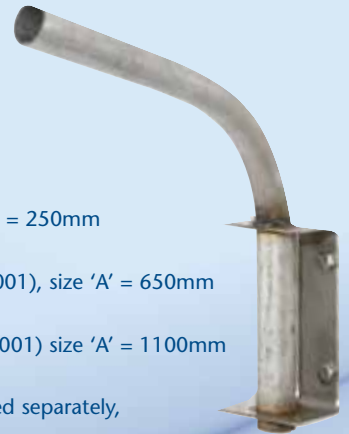
Cat No. NPRO4-0007/0008/0012



Pole length 'A' for use with the following:

1. 18W and 36W spigot entry body, size 'A' = 250mm
Cat No. NPRO4-0007
2. 18W body c/w pole clamps (SPOL4-100001), size 'A' = 650mm
Cat No. NPRO4-0008
3. 36W body c/w pole clamps, (SPOL4-100001) size 'A' = 1100mm
Cat No. NPRO4-0012

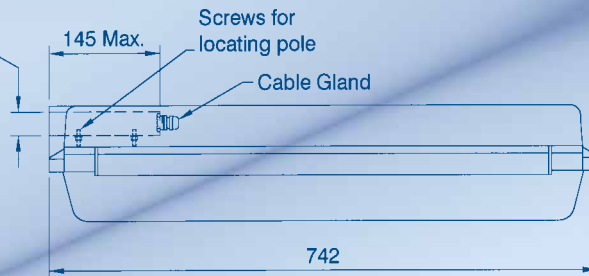
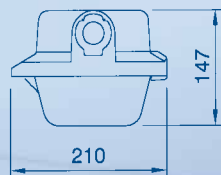
Pole clamps for items 2 & 3 must be ordered separately, see SPOL4-100001



18W Spigot Entry

Cat No. PRGE/218/BI/SE

Opening for pole mounting and for cable entry - 36-44mm



36W Spigot Entry

Cat No. PRGE/236/BI/SE

