



The Protecta is also available in a stainless steel body version. This incorporates the same design and monitoring features found in the GRP body Protecta. The increased durability of its stainless steel construction makes this luminaire ideal for applications where there is a high risk of mechanical damage or exposure to chemical agents.

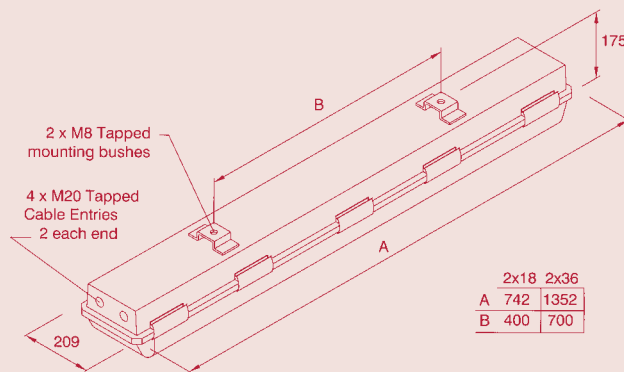
Standard Specification		Features
Ingress Protection	IP66/67 to EN60529	Simple rugged construction
Enclosure	Marine grade 316S31 stainless steel body with clear polycarbonate diffuser	Hinged cover with easily removeable cover clamps
Entries	4 x M20 cable entries (2 each end)	Standard fixing centres
Termination	Quick release mains terminals - 3 core 4mm <sup>2</sup> max. conductor with looping and 16A rating through wiring. (6mm <sup>2</sup> terminations available - /SC option)	High frequency control gear gives 50/60Hz operation, high power factor correction and regulation of lamp output
Installation	Two M8 tapped stainless steel inserts located on rear of body	Quick release mains terminals
Reflector/Gear-tray	White polyester painted zinc coated steel	Resistance to voltage fluctuations
Control Gear	High Frequency electronic control gear	Optional battery monitoring and self-testing control gear
Relamping	Via quick-release diffuser clamp and hinged diffuser	A non-emergency copper and iron version is also available. To order substitute /HF with /ES and specify the voltage
Electrical Supply	110-254V 50/60Hz Emergency version 220/254V 50/60Hz	
Battery	Ni-Cd (6V)	
Duration	3 Hours	
Emergency Output	32% of one lamp (18W) 14% of one lamp (36W)	

Std. Cat No.	Wattage	Lamp	TClass	Lampholder	Weight
<b>PRSI/118/BI/HF</b>	1x18W	Fluorescent	T8	G13	5.9kg
<b>PRSI/218/BI/HF</b>	2x18W	Fluorescent	T8	G13	6.2kg
<b>PRSI/136/BI/HF</b>	1x36W	Fluorescent	T8	G13	9.6kg
<b>PRSI/236/BI/HF</b>	2x36W	Fluorescent	T8	G13	10.0kg
<b>PRSI/118/BI/EM</b>	1x18W	Fluorescent	T8	G13	8.7kg
<b>PRSI/218/BI/EM</b>	2x18W	Fluorescent	T8	G13	9.0kg
<b>PRSI/136/BI/EM</b>	1x36W	Fluorescent	T8	G13	12.4kg
<b>PRSI/236/BI/EM</b>	2x36W	Fluorescent	T8	G13	12.8kg

### Options – Suffix to Catalogue No.

<b>/120</b>	110-130V High Frequency ballast (for /EM Emergency models only)	<b>/M25</b>	M25 cable entries
<b>/ES</b>	Electronic start (copper/iron ballast only)	<b>/SC</b>	Screwed connection terminal block (up to 6mm <sup>2</sup> conductors)
<b>/---</b>	Specific voltage (120*, 220, 230 & 254V only available copper/iron gear)	<b>/MF</b>	Mains fuse
<b>/60</b>	60Hz supply (copper/iron ballasts only)	<b>/3P</b>	3 phase termination facility
<b>/EL</b>	Extra live termination (Compatible with four core switched emergency models)	<b>/LBE</b>	Looping both ends
		<b>/BMT</b>	Battery monitoring and self-test

\* 120V copper/iron gear - non emergency only



Accessories Should be ordered separately

Catalogue Order Code

Pole mounting bracket assembly (38-42mm diameter poles)	<b>SPOL4-100001</b>
Pole mounting bracket assembly (48-52mm diameter poles)	<b>SPOL4-100002</b>
Pole mounting bracket assembly (58-62mm diameter poles)	<b>SPOL4-100003</b>
Hook type ceiling bracket assembly	<b>SPRO4-0005</b>
Ceiling bracket assembly	<b>SPRO4-0002</b>
Flush mounting wall bracket assembly	<b>SPRO4-0006</b>
Eyebolt mounting assembly	<b>SPRO5-0005</b>
Looping Kit (allows looping from both ends of luminaire)	<b>SPROT-0021</b>
18W wall mounting outreach bracket (use with SPOL4-100001)	<b>NPRO4-0008</b>
36W wall mounting outreach bracket (use with SPOL4-100001)	<b>NPRO4-0012</b>

Product design and specifications are subject to change without notice, please check the Chalmit website for latest specifications.

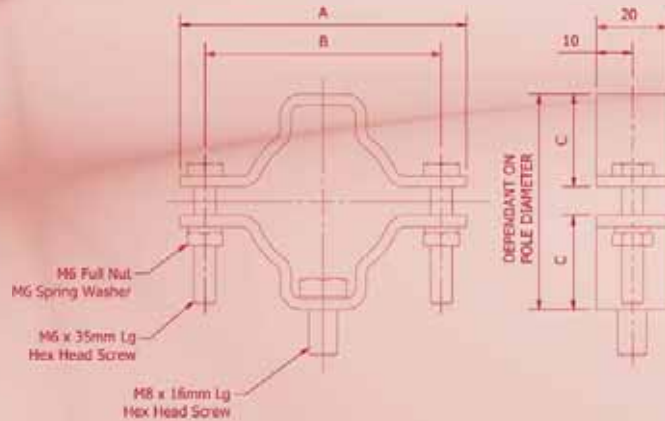


## Pole Mounting Bracket Assembly

Cat No. SPOL4-100001/100002/100003



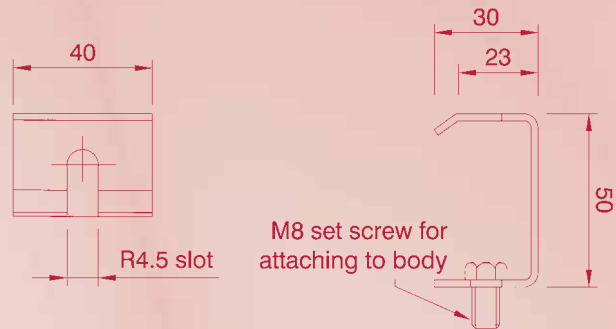
Pole mounting bracket to suit pole diameter  
 (38-42mm) SPOL4-100001  
 (48-52mm) SPOL4-100002  
 (58-62mm) SPOL4-100003



PART DETAILS				
Part Code	Part Description	A	B	C
SPOL4-100001	PROTECTA 38-42 P/M ASSY	80mm	66mm	26mm
SPOL4-100002	PROTECTA 48-52 P/M ASSY	90mm	76mm	32mm
SPOL4-100003	PROTECTA 58-62 P/M ASSY	96mm	80mm	38mm

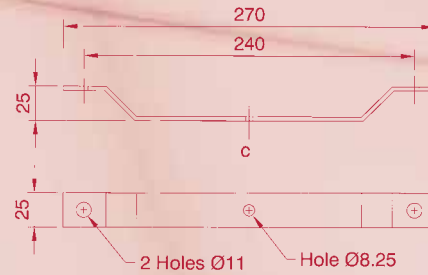
## Hook Type Ceiling Bracket Assembly

Cat No. SPRO4-0005



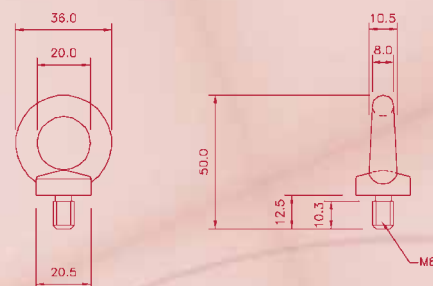
## Ceiling Mounting Bracket Assembly

Cat No. SPRO4-0002



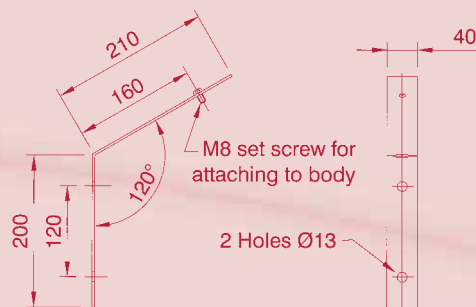
## Eyelet Mounting Assembly

Cat No. SPRO5-0005



## Flush Mounting Wall Bracket Assembly

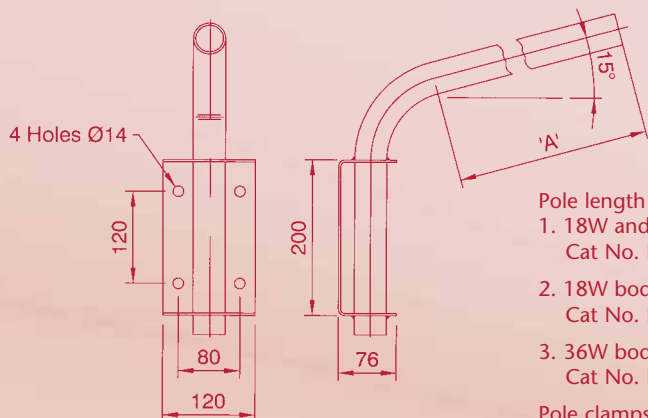
Cat No. SPRO4-0006



Note: All brackets are made from 316 Stainless Steel

## Wall Mounting Outreach Bracket

Cat No. NPRO4-0007/0008/0012



Pole length 'A' for use with the following:

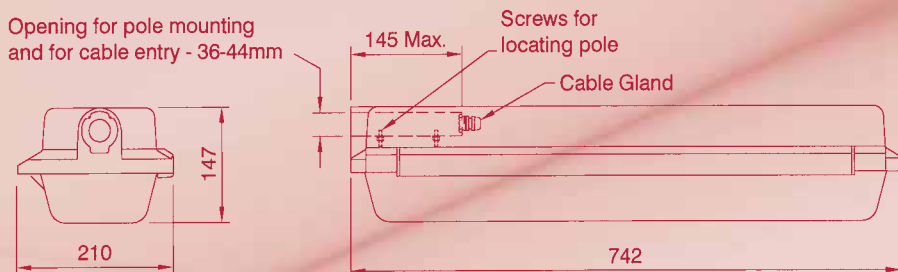
1. 18W and 36W spigot entry body, size 'A' = 250mm  
Cat No. NPRO4-0007
2. 18W body c/w pole clamps (SPOL4-100001), size 'A' = 650mm  
Cat No. NPRO4-0008
3. 36W body c/w pole clamps, (SPOL4-100001) size 'A' = 1100mm  
Cat No. NPRO4-0012

Pole clamps for items 2 & 3 must be ordered separately, see SPOL4-100001



## 18W Spigot Entry

Cat No. PRGE/218/B/SE



## 36W Spigot Entry

Cat No. PRGE/236/B/SE

