

The Solas is a new generation of LED lighting ideal for installations where area lighting is required but traditional re-lamping can be difficult.

The product uses ultra bright white LEDs to provide the illumination required for task and working areas. Output is equivalent with a 70W HPS lamp.

The luminaires rugged construction of cast aluminium and toughened flat glass is suitable for the most environmentally challenging areas, offshore and marine environments.

Solas is available as an emergency version which is operable in either maintained mode or non-maintained mode. This gives the flexibility of using the luminaire for both normal lighting and in emergency situations. A remote inhibition facility is also available, an external switch is available upon request.

The LEDs operate at 100% lumen output when the power fails for a duration of 90 minutes. Battery recharge time is 24 hours. They also provide instant on lighting from both mains or battery mode.



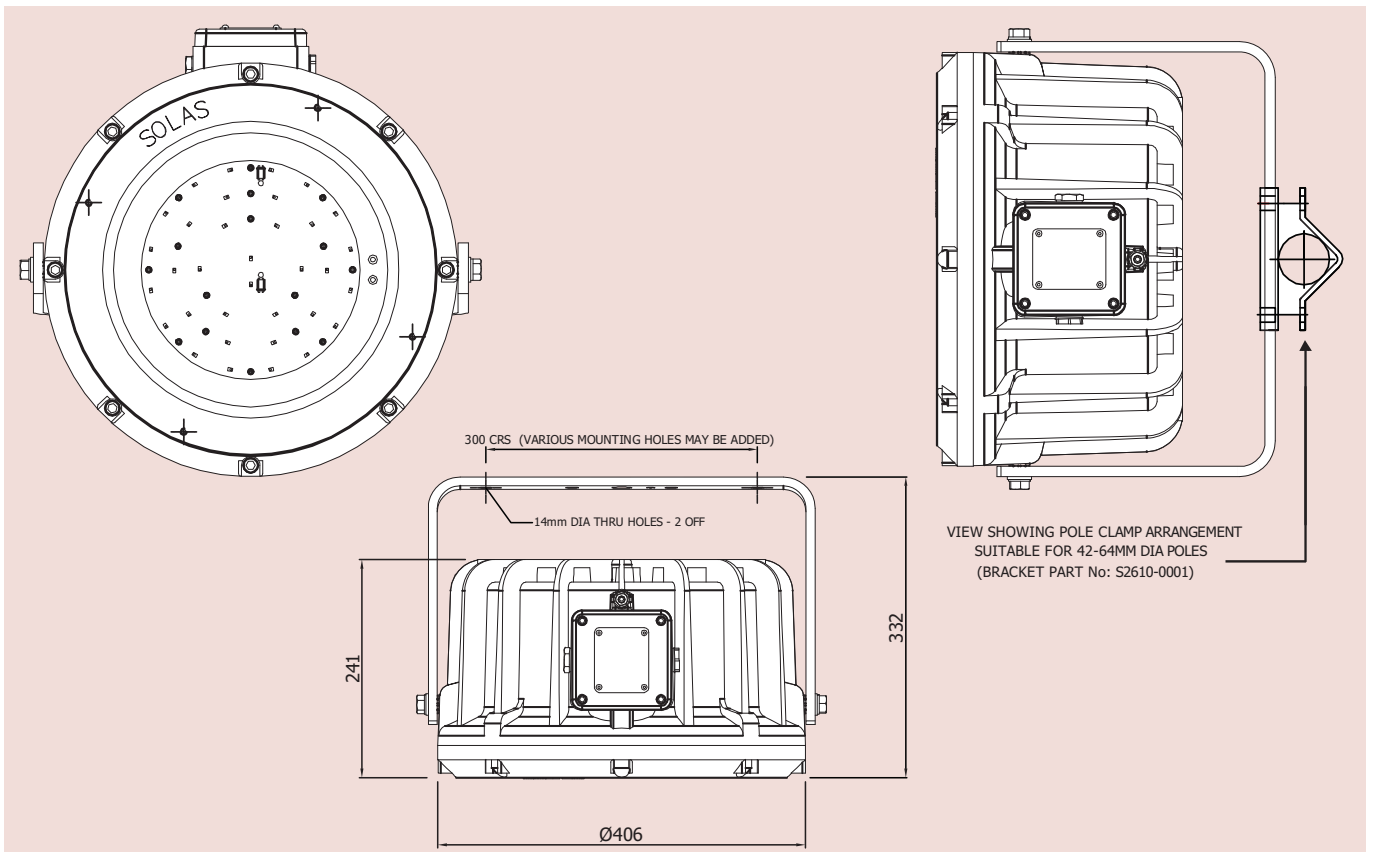
Solas with external switch

Standard Specification		Features
Ingress Protection	IP66/67 to EN 60529	No re-lamping required - over 60,000 hours continuous operation
Enclosure	Aluminium alloy LM6	
Reflector	Toughened glass window All fastenings 316 stainless steel	Low ambient temperatures
Entry	2 x M20 cable entries - Non-emergency version: looping for 4mm ² cable Emergency version: single entry only for 4mm ² cable	Non-maintained or Maintained modes
Termination	4 core 4mm ² max.	Output of over 4000 lumens comparable with 70W HPS floodlight
Installation	Stirrup mounted	Emergency Inhibition
Control Gear	Electronic	
Batteries	6V Ni-Cad	
Light Source	34 High power Light Emitting Diodes (LEDs)	
Burning Position	Universal	
Electrical Supply	220-254V 50/60Hz	
Emergency Light Duration	90 minutes (100% output) Maintained as standard	

Std. Cat No.	Wattage	Lamp	Ambient °C	Weight
SOLI/034/LE	34W	Light Emitting Diodes	-55 to +55	24.0kg
SOLI/034/LE/EM	34W	Light Emitting Diodes	-20 to +40	29.0kg
SOLI/034/LE/EM/NM	34W	Light Emitting Diodes	-20 to +55	29.0kg

Options – Suffix to Catalogue No.

/M25	M25 cable entries	/3H	3 hour emergency operation (50% output)
/P	PTFE coating	/SC	Screwed connections (minimum temp changes to -50°C)
/N	Narrow beam spread		<ul style="list-style-type: none"> • Non emergency version: looping for up to 6mm² cable
/NM	Non-maintained emergency version		<ul style="list-style-type: none"> • Non maintained emergency: single entry only for up to 6mm² cable
/LT	Low temperature (emergency only) <ul style="list-style-type: none"> • Non-maintained -55 to +55°C • Maintained -55 to +40°C 		<ul style="list-style-type: none"> • Maintained emergency version: screwed connections not available
/120	110-130V Supply		



Accessories Should be ordered separately Catalogue Order Code

Pole mounting bracket	S2610-0001
Wire guard	S2610-0005

Remote switches are available upon request, please contact technical sales (techsupport@chalmit.com)

Product design and specifications are subject to change without notice, please check the Chalmit website for latest specifications.

