

SOLAS is a new generation of LED luminaire. Using ultra bright LEDs, it produces a whiter more focused light that an equivalent 70W HPS lamp. Available with a self contained battery, it can also be used for backup emergency lighting.

The long life of the LEDs makes it possible to use the luminaire continuously in normal operation (maintained), whilst still ensuring illumination in the event of a power failure. Alternatively it can simply be used as an emergency luminaire (non-maintained).

The unique characteristics of the SOLAS offer a flexible luminaire that is as well suited to providing focused area lighting, illuminating safety critical areas in an emergency situation. A remote inhibition facility is available on all emergency versions.

The range is available with options for operation down to -55°C making it ideal for low temperature applications.



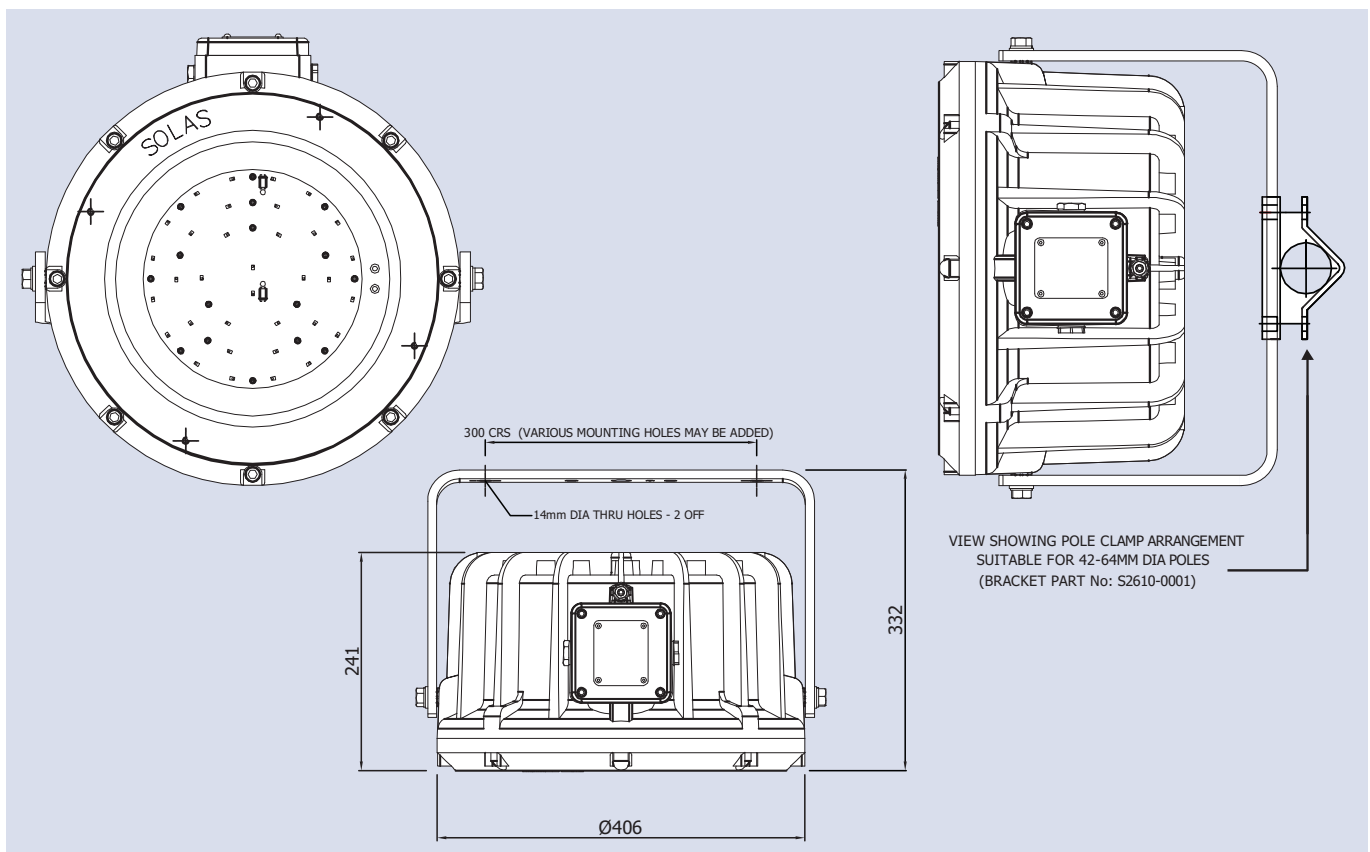
Solas with external switch

Standard Specification		Features
Type of Protection	Ex de (Flameproof & Increased Safety)	Ex e terminal chamber
ATEX Classification	Group II Category GD	No re-lamping required - over 60,000 hours continuous operation
Area Classification	Zone 1 & 2 areas to EN 60079-10 with installation to EN 60079-14	
Certificate	ATEX Certification Baseefa11ATEX0090 IECEX Certification IECEX BAS 11.0047	Low ambient temperatures
Coding	⊕ Ex II 2 GD Ex d e IIB T5 Gb Ex tb IIIC T100°C Db IP6X	Non-maintained or Maintained modes
Enclosure	Aluminium alloy LM6	Output of over 4000 lumens comparable with 70W HPS floodlight
Reflector	Toughened glass window All fastenings 316 stainless steel	
Entry	2 x M20 cable entries - Non-emergency version: looping for 4mm ² cable Emergency version: single entry only for 4mm ² cable	Emergency Inhibition
Termination	4 core 4mm ² max.	
Installation	Stirrup mounted	
Control Gear	Electronic	
Batteries	Internal Rechargeable Ni-Cad	
Light Source	34 High power Light Emitting Diodes (LEDs)	
Burning Position	Universal	
Ingress Protection	IP66/67 to EN 60529	
Electrical Supply	220-254V 50/60Hz	
Emergency Light Duration	90 minutes (100% output) Maintained as standard	

Std. Cat No.	Wattage	Lamp	TClass	T°C (Dust)	Ambient °C	Weight
SOLD/034/LE	34W	Light Emitting Diodes	T5	70	-55 to +55	24.0kg
SOLD/034/LE/EM	34W	Light Emitting Diodes	T5	70	-20 to +40	29.0kg
SOLD/034/LE/EM/NM	34W	Light Emitting Diodes	T5	70	-20 to +55	29.0kg

Options – Suffix to Catalogue No.

/M25	M25 cable entries	/3H	3 hour emergency operation (50% output)
/P	PTFE coating	/SC	Screwed connections (minimum temp changes to -50°C)
/N	Narrow beam spread		<ul style="list-style-type: none"> • Non emergency version: looping for up to 6mm² cable
/NM	Non-maintained emergency version		<ul style="list-style-type: none"> • Non maintained emergency: single entry only for up to 6mm² cable
/LT	Low temperature (emergency only) <ul style="list-style-type: none"> • Non-maintained -55 to +55°C • Maintained -55 to +40°C 		<ul style="list-style-type: none"> • Maintained emergency version: screwed connections not available
/120	110-130V Supply		



Accessories Should be ordered separately

Catalogue Order Code

Pole mounting bracket

S2610-0001

Wire guard

S2610-0005

Remote switches are available upon request, please contact technical sales (techsupport@chalmit.com)

Product design and specifications are subject to change without notice, please check the Chalmit website for latest specifications.

