



The Sterling II H/F features the same lightweight design but incorporates high frequency electronic control gear.

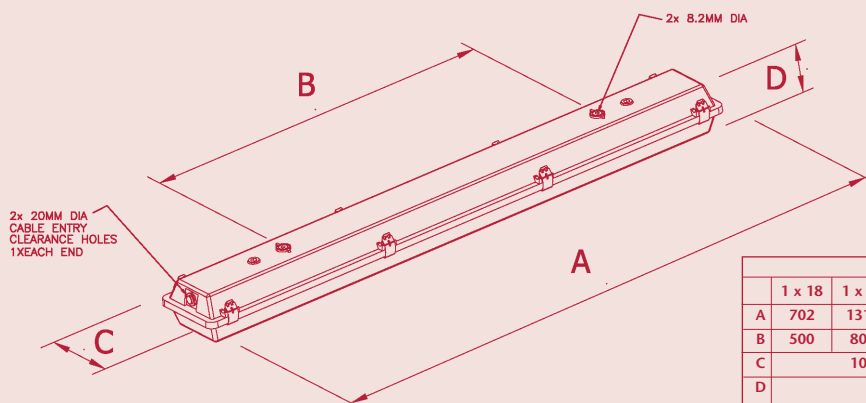
Standard Specification		Features
Ingress Protection	IP65 to EN60529	Robust polycarbonate diffuser with stainless steel clips as standard
Enclosure	GRP body with clear polycarbonate diffuser Stainless Steel retaining clips	
Entries	2 x 20mm clearance holes (one either end)	High frequency control gear gives 50/60Hz operation, high power factor correction and regulation of lamp output
Termination	4 core 4mm <sup>2</sup> max conductors	Simple to install and maintain
Reflector/Gear-tray	White polyester painted zinc coated steel	
Mounting	8mm clearance holes, sealing washers are provided	Lightweight and slim line construction
Control Gear	High frequency electronic ballast	
Relamping	Access via front diffuser secured by quick release stainless steel clips	
Electrical Supply	Non-emergency version - 120V-254V 50/60Hz 175V-270V DC Emergency version - 220-254V 50/60Hz	
Battery	Ni-Cd (6V)	
Duration	3 Hours	
Emergency Output	32% of one lamp (18W) 14% of one lamp (36W) 9% of one lamp (58W)	

Std. Cat No.	Wattage	Voltage	Lamp Type	Lampholder	Weight
<b>ST2I/118/BI/HF</b>	1x18W	120V-254V 50/60Hz	T8 Fluorescent	G13	2.3kg
<b>ST2I/218/BI/HF</b>	2x18W	120V-254V 50/60Hz	T8 Fluorescent	G13	2.6kg
<b>ST2I/136/BI/HF</b>	1x36W	120V-254V 50/60Hz	T8 Fluorescent	G13	3.3kg
<b>ST2I/236/BI/HF</b>	2x36W	120V-254V 50/60Hz	T8 Fluorescent	G13	3.6kg
<b>ST2I/158/BI/HF</b>	1x58W	120V-254V 50/60Hz	T8 Fluorescent	G13	3.7kg
<b>ST2I/258/BI/HF</b>	2x58W	120V-254V 50/60Hz	T8 Fluorescent	G13	4.1kg
<b>ST2I/118/BI/EM/HF*</b>	1x18W	220V-254V 50/60Hz	T8 Fluorescent	G13	4.3kg
<b>ST2I/218/BI/EM/HF</b>	2x18W	220V-254V 50/60Hz	T8 Fluorescent	G13	4.6kg
<b>ST2I/136/BI/EM/HF*</b>	1x36W	220V-254V 50/60Hz	T8 Fluorescent	G13	5.3kg
<b>ST2I/236/BI/EM/HF</b>	2x36W	220V-254V 50/60Hz	T8 Fluorescent	G13	5.6kg
<b>ST2I/158/BI/EM/HF*</b>	1x58W	220V-254V 50/60Hz	T8 Fluorescent	G13	5.7kg
<b>ST2I/258/BI/EM/HF</b>	2x58W	220V-254V 50/60Hz	T8 Fluorescent	G13	6.1kg

\* Emergency single lamp models are in twin lamp bodies

### Options – Suffix to Catalogue No.

<b>/120</b>	110-130V 50/60Hz High Frequency ballast (36W & 58W Emergency versions only)	<b>/MF</b>	Mains fuse
<b>/NM</b>	Non maintained emergency version (single lamp bodies only)	<b>/T</b>	Through wired
		<b>/EA</b>	External earth



Accessories Should be ordered separately

Catalogue Order Code

Pole mounting bracket assembly (38-42mm diameter poles)	<b>SPOL4-100004</b>
Pole mounting bracket assembly (48-52mm diameter poles)	<b>SPOL4-100005</b>
Pole mounting bracket assembly (58-62mm diameter poles)	<b>SPOL4-100006</b>
Hook type ceiling bracket assembly	<b>S3004-100003</b>
Ceiling bracket assembly	<b>S3004-100001</b>
Flush mounting wall bracket assembly	<b>S3004-100004</b>
18W wall mounting outreach bracket (use with SPOL4-100004)	<b>NPRO4-0008</b>
36W wall mounting outreach bracket (use with SPOL4-100004)	<b>NPRO4-0012</b>
58W wall mounting outreach bracket (use with SPOL4-100004)	<b>NPRO4-0022</b>

Product design and specifications are subject to change without notice, please check the Chalmit website for latest specifications.

