



The Sterling II is a high quality but cost effective fluorescent. Its lightweight and slimline construction make it simple to install and maintain.

The luminaire has copper and iron control gear and is available with single and twin lamp versions.

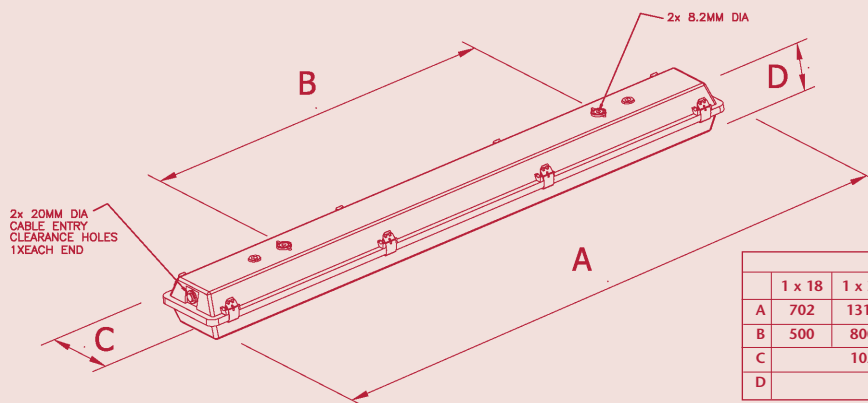
Standard Specification		Features
Ingress Protection	IP65 to EN60529	Robust polycarbonate diffuser with stainless steel clips as standard
Enclosure	GRP body with clear polycarbonate diffuser Stainless steel retaining clips	
Entries	2 x 20mm clearance holes (one either end)	Simple to install and maintain
Termination	4 core 4mm <sup>2</sup> max conductors	Lightweight and slim line construction
Reflector/Gear-tray	White polyester painted zinc coated steel	
Mounting	8mm clearance holes, sealing washers are provided	
Control Gear	Copper & Iron switch start ballast	
Relamping	Access via front diffuser secured by quick release stainless steel clips	
Electrical Supply	240V 50Hz	
Battery	Ni-Cd (6V)	
Duration	3 Hours	
Emergency Output	32% of one lamp (18W) 14% of one lamp (36W) 9% of one lamp (58W)	

Std. Cat No.	Wattage	Voltage	Lamp Type	Lampholder	Weight
<b>ST2I/118/BI</b>	1x18W	240V 50Hz	T8 Fluorescent	G13	2.5kg
<b>ST2I/218/BI</b>	2x18W	240V 50Hz	T8 Fluorescent	G13	3.2kg
<b>ST2I/136/BI</b>	1x36W	240V 50Hz	T8 Fluorescent	G13	3.6kg
<b>ST2I/236/BI</b>	2x36W	240V 50Hz	T8 Fluorescent	G13	4.2kg
<b>ST2I/158/BI</b>	1x58W	240V 50Hz	T8 Fluorescent	G13	4.2kg
<b>ST2I/258/BI</b>	2x58W	240V 50Hz	T8 Fluorescent	G13	5.1kg
<b>ST2I/118/BI/EM*</b>	1x18W	240V 50Hz	T8 Fluorescent	G13	4.8kg
<b>ST2I/218/BI/EM</b>	2x18W	240V 50Hz	T8 Fluorescent	G13	5.2kg
<b>ST2I/136/BI/EM*</b>	1x36W	240V 50Hz	T8 Fluorescent	G13	5.6kg
<b>ST2I/236/BI/EM</b>	2x36W	240V 50Hz	T8 Fluorescent	G13	6.1kg
<b>ST2I/158/BI/EM*</b>	1x58W	240V 50Hz	T8 Fluorescent	G13	5.7kg
<b>ST2I/258/BI/EM</b>	2x58W	240V 50Hz	T8 Fluorescent	G13	7.1kg

\* Emergency single lamp models are in twin lamp bodies

### Options – Suffix to Catalogue No.

<b>/NM</b>	Non maintained emergency version (single lamp bodies only)	<b>/T</b>	Through wired
<b>/MF</b>	Mains fuse	<b>/ES</b>	Electronic starter
		<b>/EA</b>	External earth



Accessories Should be ordered separately

Catalogue Order Code

Pole mounting bracket assembly (38-42mm diameter poles)	<b>SPOL4-100004</b>
Pole mounting bracket assembly (48-52mm diameter poles)	<b>SPOL4-100005</b>
Pole mounting bracket assembly (58-62mm diameter poles)	<b>SPOL4-100006</b>
Hook type ceiling bracket assembly	<b>S3004-100003</b>
Ceiling bracket assembly	<b>S3004-100001</b>
Flush mounting wall bracket assembly	<b>S3004-100004</b>
18W wall mounting outreach bracket (use with SPOL4-100004)	<b>NPRO4-0008</b>
36W wall mounting outreach bracket (use with SPOL4-100004)	<b>NPRO4-0012</b>
58W wall mounting outreach bracket (use with SPOL4-100004)	<b>NPRO4-0022</b>

Product design and specifications are subject to change without notice, please check the Chalmit website for latest specifications.

