



The Universal is a lamp control and transformer box for use in Zone 1 and Zone 2 hazardous areas. It can be used as a control box for up to 600W HID lamp sources.

The Universal box can also be specified as a 120V transformer box up to 1000VA.

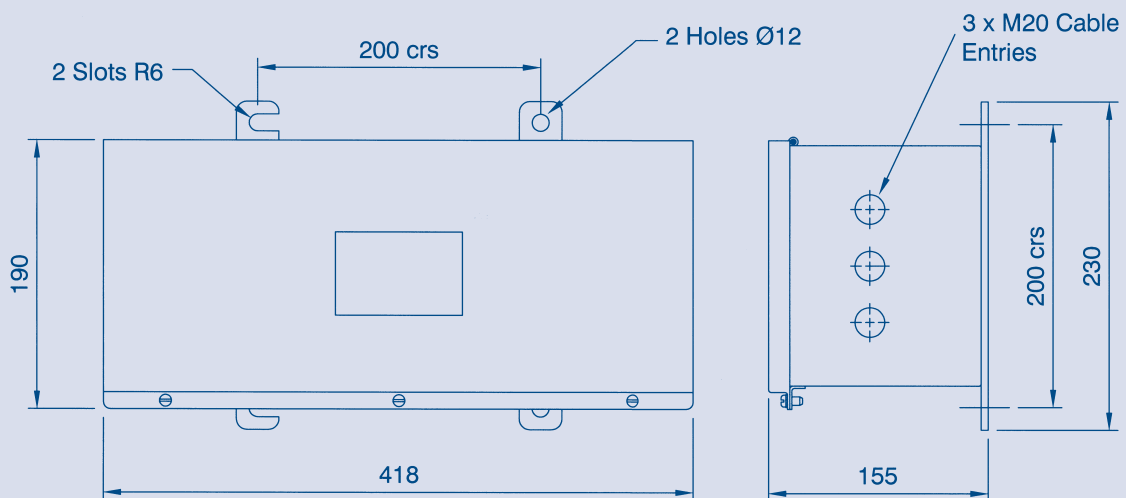
Standard Specification		Features
Type of Protection	Ex d e m (Increased Safety, Flameproof, Encapsulated) Dust protected enclosure	Installation to gas groups IIA, IIB and IIC
ATEX Classification	Group II Category 2 GD	Marine grade stainless steel construction
Area Classification	Zone 1 and Zone 21 areas to EN 60079-10-1 and EN 60079-10-2 with installation to EN 60079-14 Gas Groups IIA, IIB and IIC	Easy to install and maintain
Certificate	EC Type Examination Certificate BAS01ATEX2270	Hinged lid with three captive fixing screws
Coding	Ⓔ II 2 GD Ex d e m IIC Refer to table for T rating and ambient	Control gear easily accessed and can be replaced
Enclosure	Marine grade 316S31 stainless steel with silicone rubber gasket	Thermal cut-outs fitted on ballast and transformer
Entry	3 x M20 cable entries	
Termination	3 core 6mm <sup>2</sup> max. conductor with looping	
Installation	Base mounting straps	
Control Gear	Internal copper/iron and PFC correction capacitor as required	
Operating Position	Cable entries on lower end, if mounted vertically	
Ingress Protection	IP66/67 to EN 60529	
Electrical Supply	220-254V 50Hz - Control box version 120V 50-60Hz - Transformer box version	
		International Approvals
		ATEX

Std. Cat No.	Wattage	Lamp	TClass	T°C (Dust)	Ambient °C	Weight
<b>UNIE/150/MS</b>	150W	HPS/Metal Halide	T4	110	-40 to +45	10.5kg
			T3	120	-40 to +55	
<b>UNIE/250/MS</b>	250W	HPS/Metal Halide	T4	110	-40 to +45	11.0kg
			T3	120	-40 to +55	
<b>UNIE/400/MS</b>	400W	HPS/Metal Halide	T4	120	-40 to +55	12.0kg
<b>UNIE/600/HS</b>	600W	HPS	T4	115	-40 to +45	14.0kg
			T3	125	-40 to +55	
<b>UNIE/500/TF*</b>	500VA	Transformer	T4	105	-40 to +35	11.0kg
			T3	115	-40 to +55	
<b>UNIE/1000/TF*</b>	1000VA	Transformer	T4	105	-40 to +35	12.0kg
			T3	115	-40 to +55	

\*120 to 240V step up transformer boxes for fixed applications only. (Not portable).

### Options – Suffix to Catalogue No.

<b>/60</b>	60Hz	<b>/MF</b>	Mains fuse (-20°C to +40°C only)
<b>/M25</b>	M25 cable entries	<b>/3P</b>	3 Phase termination



Product design and specifications are subject to change without notice, please check the Chalmit website for latest specifications.