



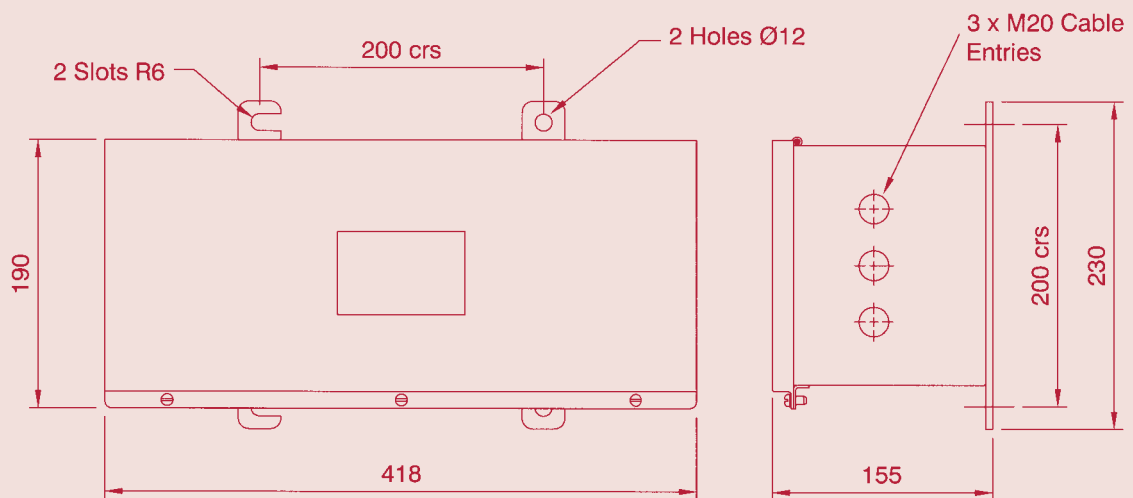
The Universal is a lamp control and transformer box for use in Industrial areas.
 It can be used as a control box for up to 600W HID lamp sources.
 The Universal box can also be specified as a 120V transformer box up to 1000VA.

Standard Specification		Features
Ingress Protection	IP66/67 to EN 60529	Marine grade stainless steel construction
Enclosure	316S31 Marine grade stainless steel with silicone rubber gasket	Easy to install and maintain
Entry	3 x M20 cable entries	Hinged lid with three captive fixing screws
Termination	3 core 6mm ² max. conductor with looping	Lightweight
Installation	Base mounting straps	Control gear easily accessed and can be replaced
Control Gear	Internal copper/iron and PFC correction capacitor as required	Thermal cut-outs fitted on ballast and transformer
Operating Position	Cable entries on lower end, if mounted vertically	
Electrical Supply	220-254V 50Hz - Control box version, 120V 50-60Hz - Transformer box version	

Std. Cat No.	Wattage	Lamp	Weight
UNII/150/MS	150W	HPS/Metal Halide	10.5kg
UNII/250/MS	250W	HPS/Metal Halide	11.5kg
UNII/400/MS	400W	HPS/Metal Halide	12.0kg
UNII/600/HS	600W	HPS	14.0kg
UNII/500/TF*	500VA	Transformer	11.0kg
UNII/1000/TF*	1000VA	Transformer	12.0kg

*120 to 240V step up transformer boxes for fixed applications only. (Not portable).

Options – Suffix to Catalogue No.			
/60	60Hz	/MF	Mains fuse
/M25	M25 cable entries	/3P	3 Phase termination



Product design and specifications are subject to change without notice, please check the Chalmit website for latest specifications.

