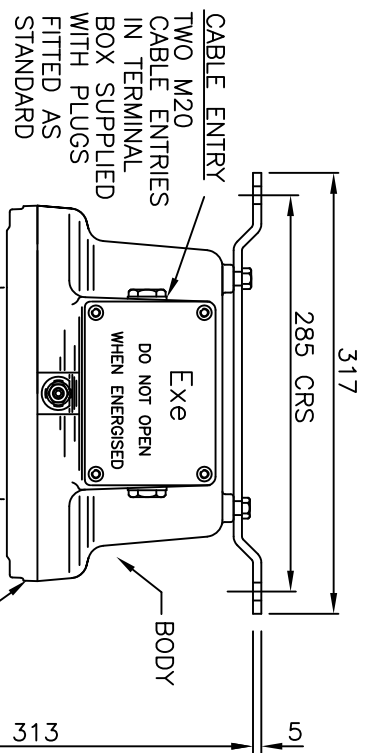


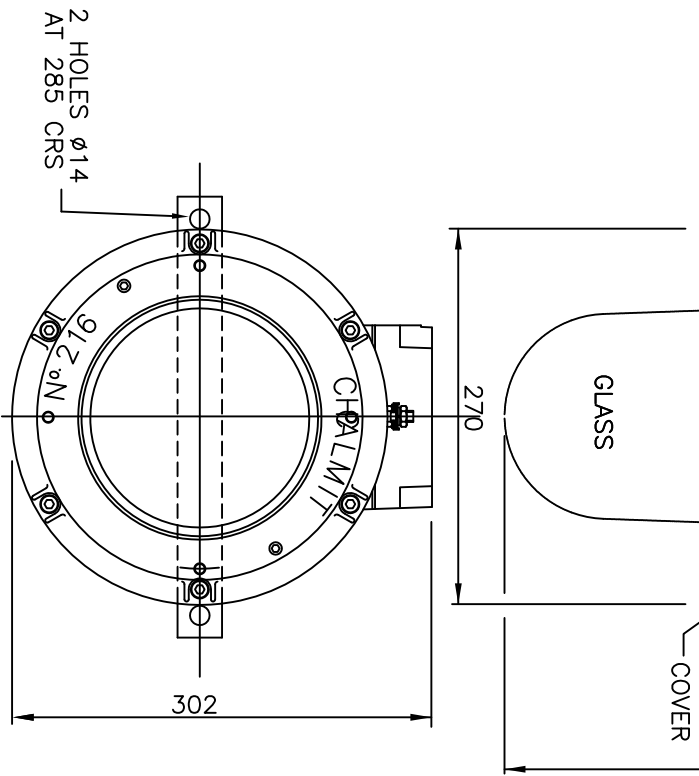
REMOVE ALL BURRS & SHARP EDGES

IF IN DOUBT ASK!

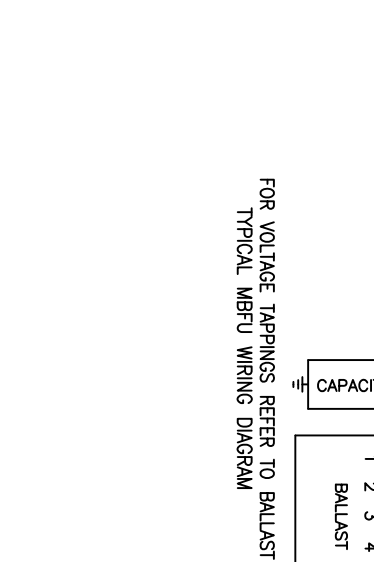
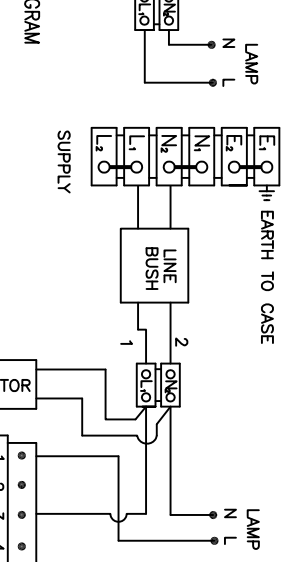
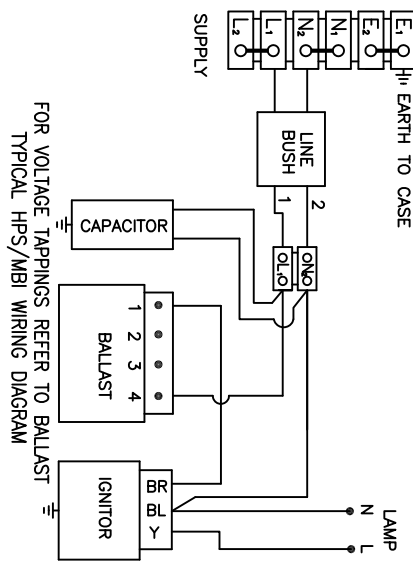
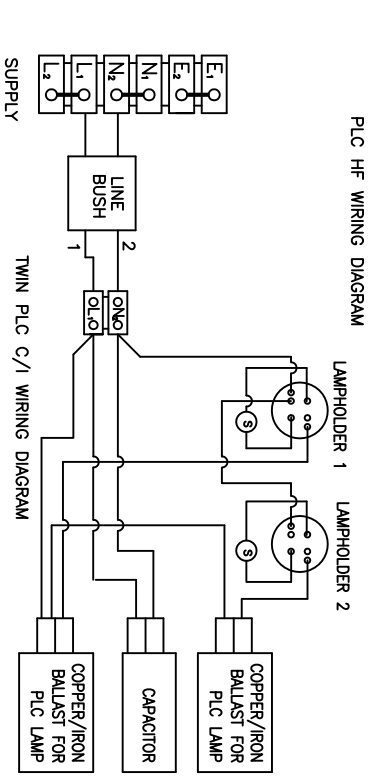
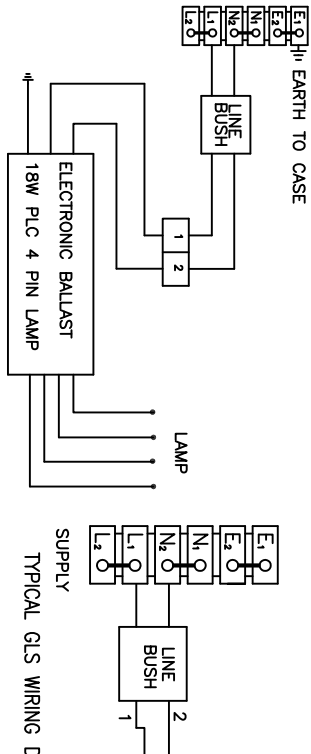
3RD ANGLE PROJECTION



LUMINAIRE	RATED SUPPLY	T CLASS	T amb	LAMPHOLDER	WEIGHT
216D/050/HS	220/230/240/254V 50Hz OR	T4	50°C	9.5Kgs	
216D/070/HS	220/230/240/254V 60Hz	T4	40°C	10Kgs	
216D/080/MW	220/230/240V 50Hz OR 220/230/240V 60Hz	T5	40°C	G24q 4 PIN	10Kgs
216D/100/6L	250V MAX ac/dc	T3	55°C	9.5Kgs	
216D/200/6L		T6			
216D/113/CF	12/24/50/110V ac/dc OR				
216D/118/CF	220/230/240V 50Hz				
216D/126/CF	OR				
216D/213/CF	220/230/240V 60Hz				
216D/218/CF					



TYPE OF PROTECTION... Ex de FLAMEPROOF & INCREASED SAFETY AREA CLASSIFICATION... ZONE 1 & 2, GAS GROUPS IIA & IIB TO BS EN 60079-14  
 STANDARD... BS EN 50014/18/19  
 CERTIFICATE... ATEX TYPE EXAMINATION ECES BAS01ATEX2307 CODING... Ex II G Ex de IIB Tamb(SEE TABLE)  
 INGRESS PROTECTION... IP66/67 TO BS EN60529 (IEC 529)  
 INCOMING CABLE UP TO 6mm<sup>2</sup> (3 CORE) FOR FOR LOOPING



REF. DRGS.	DATE	APPROVED	CHECKED	DRAWN
	28.01.08	J.T.C.	J.T.C.	sliee

REF. DRGS.	DATE	APPROVED	CHECKED	DRAWN

**Chalmit Lighting**  
 Chalmit Lighting  
 388 Hillington Road,  
 Glasgow G52 4BL,  
 Scotland  
 Tel:0141 882 5555 Fax:0141 883 3704  
 216 WELGLASS GA  
 FLUSH MOUNTING