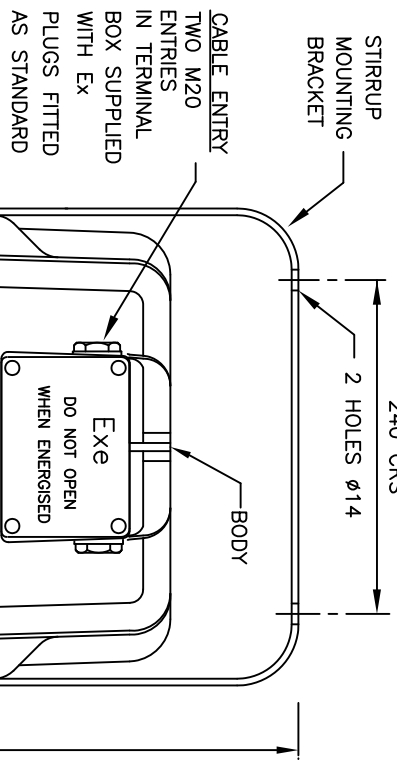


DRAWING NUMBER/SHEET NUMBER  
F1225

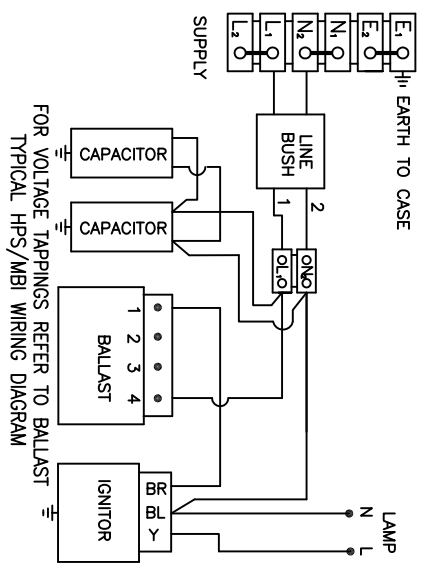
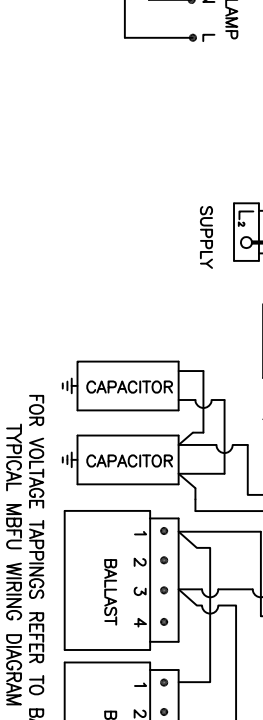
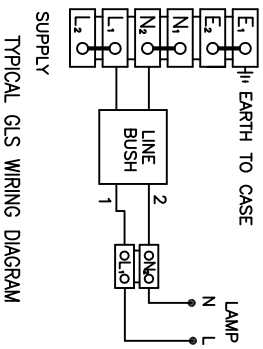
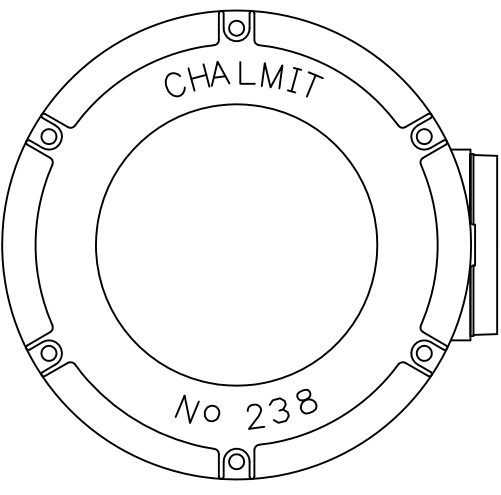
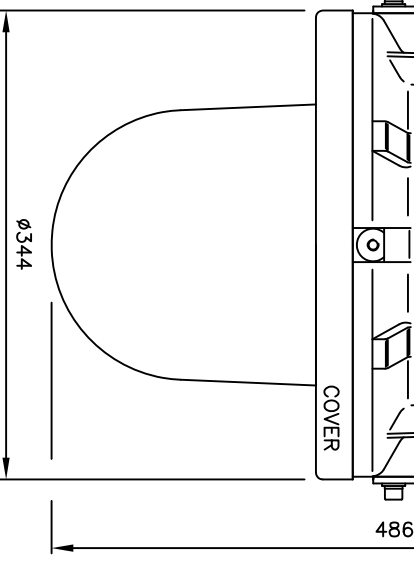
REMOVE ALL BURRS & SHARP EDGES

IF IN DOUBT ASKI

3RD ANGLE PROJECTION



LUMINAIRE	RATED SUPPLY	T CLASS	T amb	LAMPHOLDER	WEIGHT
2380/070/HS/S	220/230/240/254V 50Hz	T4	70°C	E27	17Kgs
2380/100/HS/S	OR	T4	60°C	E40	18Kgs
2380/150/MS/S	220/230/240/254V 60Hz	T3	40°C	E40	20Kgs
2380/250/MS/S		T3	40°C	E27	17Kgs
2380/080/MV/S	220/230/240V 50Hz	T4	60°C	E27	17Kgs
2380/125/MV/S	OR	T4	40°C	E40	19.5Kgs
2380/250/MV/S	220/230/240V 60Hz	T3	40°C	E40	15.5Kgs
2380/150/QL/S		T4	70°C	E27	
2380/200/QL/S		T4	50°C	E40	
2380/300/QL/S	250V MAX ac/dc	T3	40°C	E40	
2380/160/MB/S		T3	50°C	E27	
2380/085/QL/S		T5	55°C	QL	16Kgs
2380/070/HS/T5/S	220/230/240V 50Hz	T5	40°C	E27	17Kgs
2380/150/MS/T3/S	OR	T3	55°C	E40	18Kgs
2380/125/MV/T3/S	220/230/240V 60Hz	T3	50°C	E27	17Kgs



TYPE OF PROTECTION.....Ex de FLAMEPROOF & INCREASED SAFETY  
 AREA CLASSIFICATION.....ZONE 1 & 2, GAS GROUPS IIA & IIB  
 TO BS EN 60079-14  
 STANDARD.....BS EN 50014/18/19  
 CERTIFICATE.....ATEX TYPE EXAMINATION ECES BAS01ATEX2308  
 CODE.....Ex II 2 G EEx de IIB Tamb/(SEE TABLE)  
 INGRESS PROTECTION.....IP66/67 TO BS EN60529 (IEC 529)  
 INCOMING CABLE.....UP TO 6mm<sup>2</sup> (3 CORE) FOR FOR LOOPING

**Chalmit Lighting**

Chalmit Lighting  
 368 Hillington Road,  
 Glasgow G52 4BL  
 Scotland  
 Tel:0141 882 5555 Fax:0141 883 3704

REF. DRES.-	DATE	APPROVED	CHECKED	DRAWN
	31.01.08	sliee	sliee	sliee

REF. DRES.-

REF. DRES.-	DATE	APPROVED	CHECKED	DRAWN
	31.01.08	sliee	sliee	sliee

DRAWING NUMBER/SHEET NUMBER F1225 1 DF 1