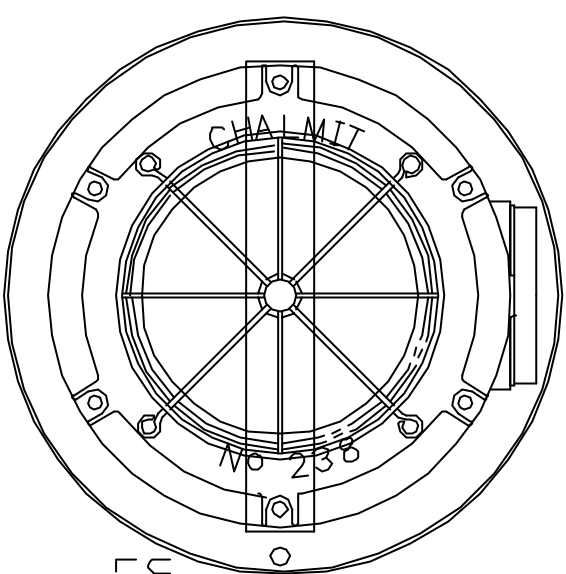
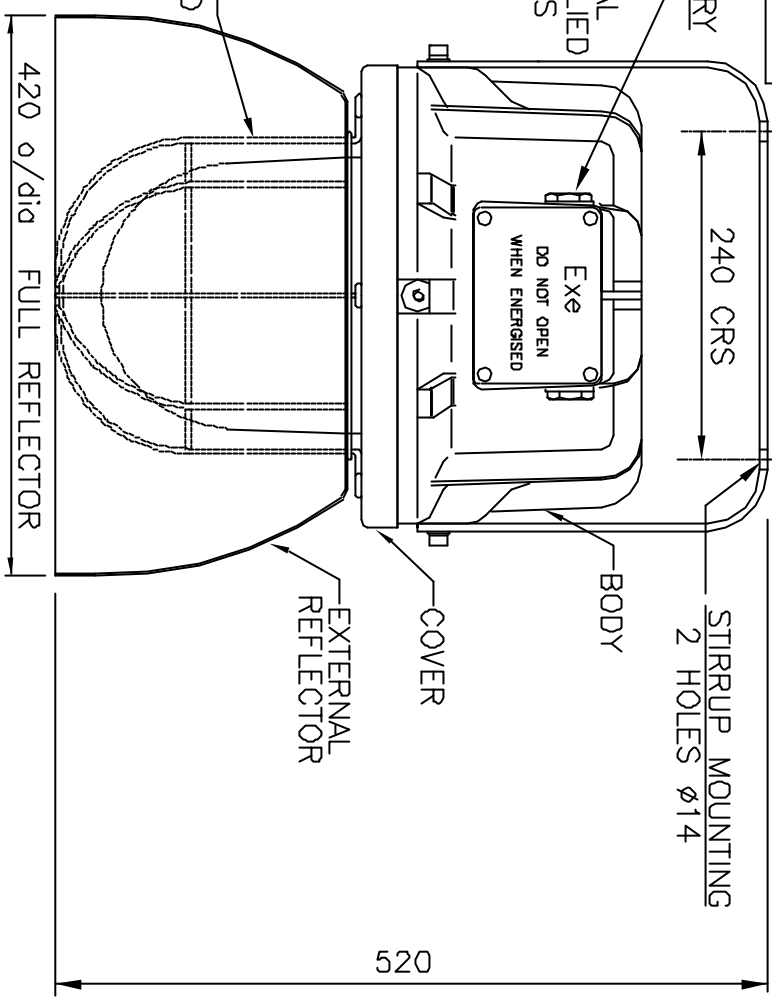


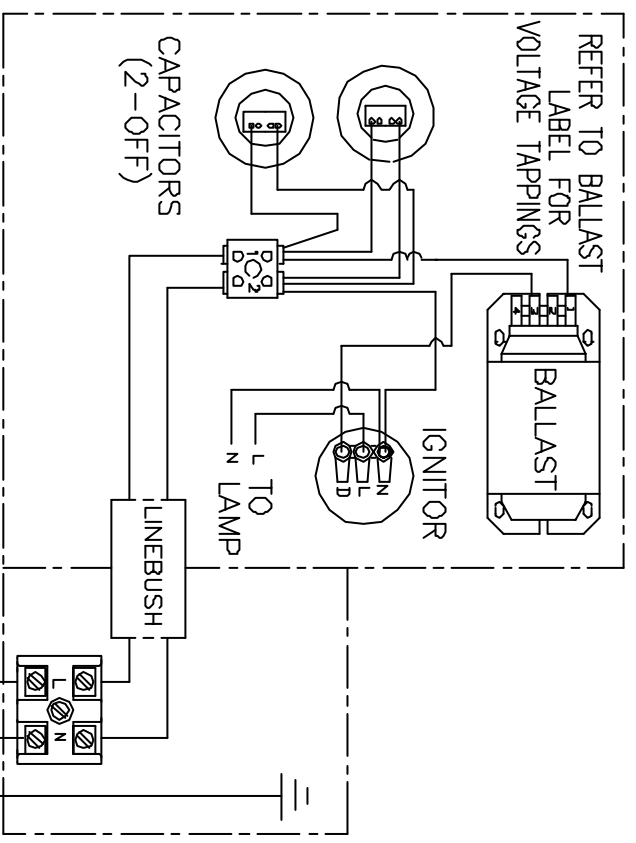
CABLE ENTRY
TWO M20
ENTRIES
IN TERMINAL
BOX SUPPLIED
WITH PLUGS
FITTED AS
STANDARD



INCOMING CABLE
UP TO 2.5mm² (3-CORE)
LOOPING AVAILABLE AS STANDARD

IF IN DOUBT ASK!

3RD ANGLE PROJECTION



INTERNAL WIRING DIAGRAM

LUMINAIRE	LAMP	T CLASS	T amb	IP RATING	WEIGHT
238/150 SON	150W HPS	T3	55°C	IP66/67	21.5 Kgs
		T4	40°C		

220/230/240/250V 50HZ SUPPLY

Chalmit Lighting

Chalmit Lighting
368 Hittington Road,
Chalmit
T40141 882 5555 Fax:0141 883 3704

TITLE 238 150W WELLSGLASS
STIRRUP MTS &
WIRE GUARD & EXT REFL

DRAWING NUMBER/SHEET NUMBER
F935 1 OF 1

DRAWN	J.T.C.
CHECKED	J.T.C.
APPROVED	J.T.C.
DATE	12/11/2010

REF: B898-