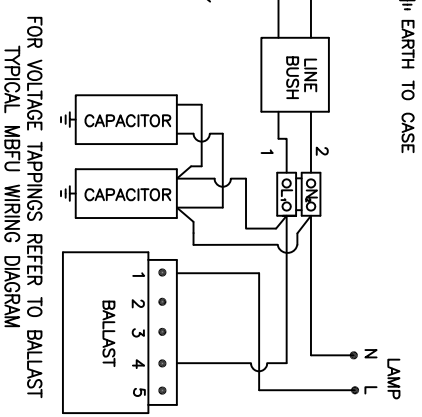
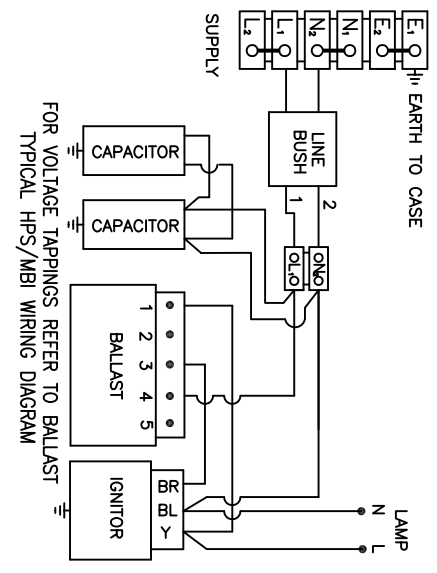
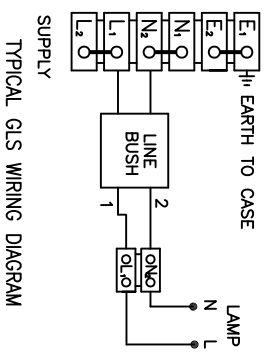


LUMINAIRE	RATED SUPPLY	T CLASS	T amb	LAMPHOLDER	WEIGHT
261D/150/HS	220/230/240/254V 50Hz	T4	50°C	E40	31Kgs
261D/250/HS		T4	50°C	E40	32Kgs
261D/400/HS	OR 220/230/240/254V 60Hz	T4	50°C	E40	33Kgs
261D/125/MV		T4	50°C	E40	31Kgs
261D/250/MV	220/230/240/254V 60Hz	T4	50°C	E40	32Kgs
261D/400/MV		T4	50°C	E40	33Kgs
261D/250/MH	220/230/240/254V 60Hz	T4	50°C	E40	32Kgs
261D/400/MH		T4	50°C	E40	33Kgs
261D/500 GLS	110/240 ac dc	T4	50°C	E40	29Kgs



TYPE OF PROTECTION... Ex de FLAMEPROOF & INCREASED SAFETY
AREA CLASSIFICATION... ZONE 1 & 2, GAS GROUPS IIA & IIB
TO BS EN 60079-14
STANDARD... BS EN 50014/18/19
CERTIFICATE... ATEX TYPE EXAMINATION EECs BAS01ATEX2309
CODING... Ex II G EEx de IIB Tamb/SEE TABLE
INGRESS PROTECTION... IP66/67 TO BS EN60529 (IEC 529)
INCOMING CABLE... UP TO 6mm (3 CORE) FOR LOOPING

REF. DRGS.-	DATE	APPROVED	CHECKED	DRAWN
	30.01.08	sliee	sliee	sliee

REF. DRGS.-	DATE	APPROVED	CHECKED	DRAWN

WITHOUT OUR PERMISSION THIS DRAWING, WHICH IS OUR
COPYRIGHT, MAY NOT BE REPRODUCED OR MADE AVAILABLE
TO THIRD PARTIES.
AUTHORISATION IS GIVEN TO
TO REPRODUCE THIS DRAWING FOR INTERNAL PURPOSES ONLY.

REF. DRGS.-	DATE	APPROVED	CHECKED	DRAWN

Chalmit Lighting

Chalmit Lighting
368 Hillington Road,
Glasgow G52 4BL,
Scotland
Tel: 0141 882 5555 Fax: 0141 883 3704

261 WELGLASS GA
STIRRUP MOUNTING

DRAWING NUMBER/SHEET NUMBER
F1068 1 OF 1