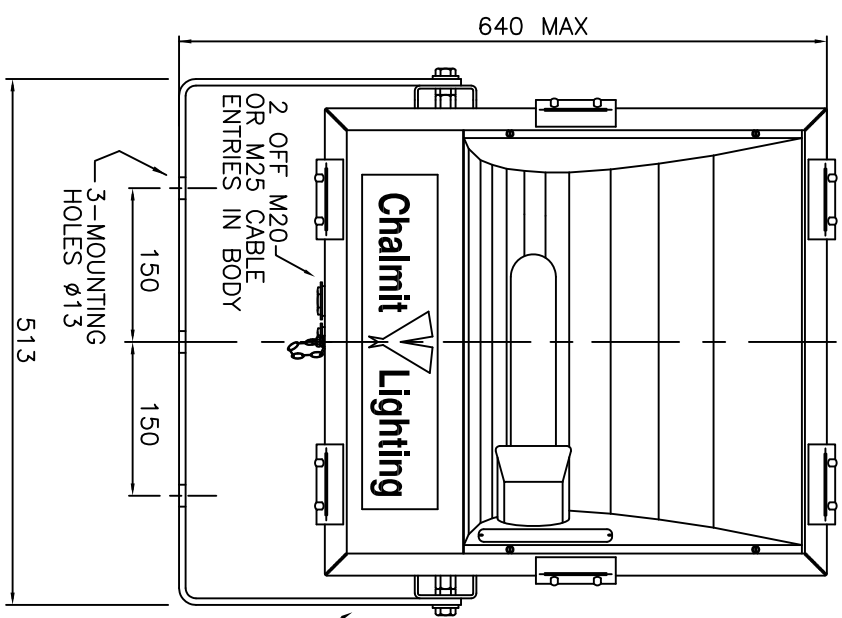


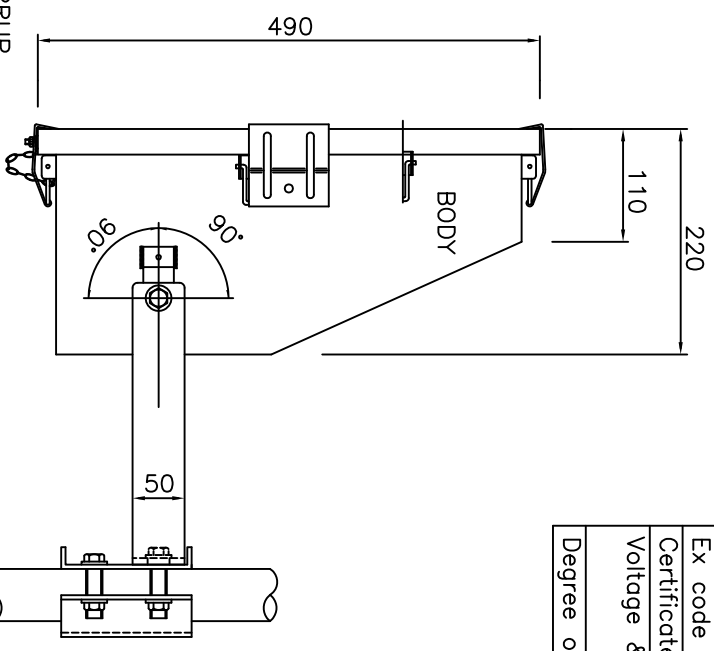
DRAWING NUMBER/SHEET NUMBER  
F530

456



STANDARD MOUNTING POSITION

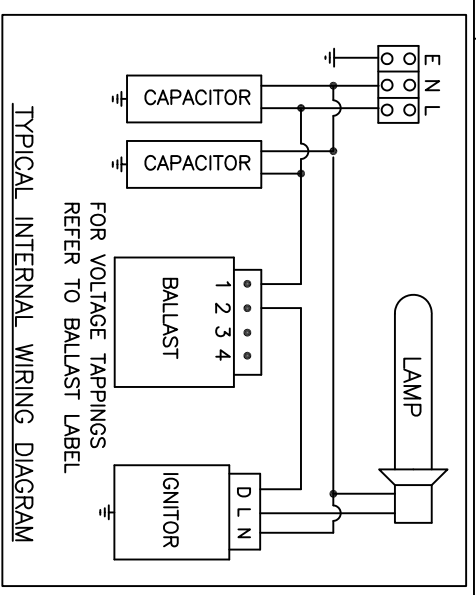
STIRRUP MOUNTING BRACKET



(POLE MTG BRACKET NO: S2400-0002)

SUITABLE FOR POLE  
Ø48-Ø70  
ALTERNATIVE MOUNTING POSITION  
(STIRRUP-MOUNTING BRACKET  
ROTATED 90° FOR POLE-MOUNTING)

Product Name	Stirrup Mounted 864 Floodlight
Ex Classification	Ex n Restricted Breathing
Ex code	Ex II 3 G EEx nR II (T see table)
Certificate	BAS97ATEX3378
Voltage & Frequency	220-254V @ 50Hz or 220-254V @ 60Hz (dependant on ballast tapings, see below)
Degree of Protection	IP66/67 BS EN 60529 / IEC 529



SUPPLY CABLE:- 6mm<sup>2</sup> 3-CORE CABLE

termination suitable for looping

VOLTAGE	BALLAST TAPPINGS	LIVE	IGNITOR
220V	3	3	2
230V	1	1	3
240V	2	2	4
254V	1	1	4

FREQUENCY MUST BE SPECIFIED,  
WHEN ORDERING.

LUMINAIRE	AMBIENT TEMP	T RATING	IP RATING	WEIGHT
864N/250 SON/T	55°C	T3	IP 66/67	20.5Kg
864N/250 MBI/T	55°C	T3	IP 66/67	21Kg
864N/400 MBI/T	45°C	T3	IP 66/67	20.5Kg
864N/400 SON/T	50°C	T3	IP 66/67	21Kg

DRAWN RJK  
CHECKED  
APPROVED  
DATE 25-5-99  
REF. DRGS:-

WITHOUT OUR PERMISSION THIS DRAWING WHICH IS OUR  
COPYRIGHT, MAY NOT BE REPRODUCED OR MADE AVAILABLE  
TO THIRD PARTIES.  
ALTERATIONS IS GIVEN TO  
TO REPRODUCE THIS DRAWING FOR INTERNAL PURPOSES ONLY.

Material	Stainless Steel, 316 S31 (BODY) MILD STEEL (STIRRUP MOUNTING BRK)	Finish	PAINTED BLACK(BODY ONLY)
Change		Issue	
Issue	01	Date	06/01/03
Volume range altered			
Tolerance		Surface roughness	
Chalmit Lighting 388 Hillington Road, Glasgow G52 4BL Scotland Tel: 0141-882 5555 fax: 0141-883 3704			
Title		864N FLOODLIGHT GA STIRRUP MOUNTED	
Drawing Number/Sheet Number		F530	