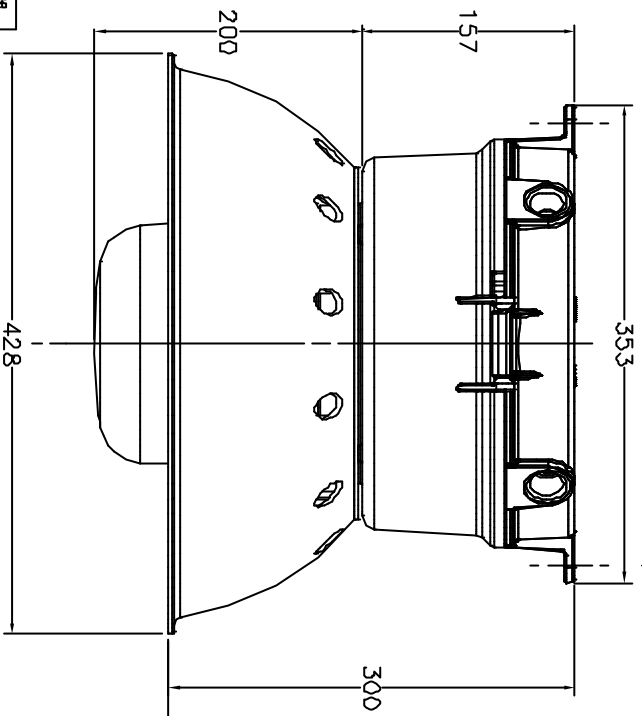
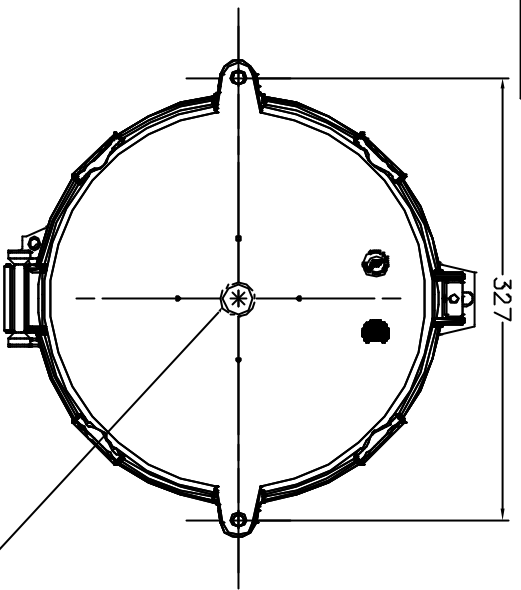


REMOVE ALL BURRS & SHARP EDGES

IF IN DOUBT ASK!

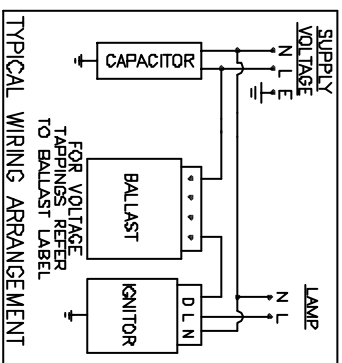
3<sup>rd</sup> ANGLE PROJECTION



M25 PENDANT ENTRY

CAT NO.	WATTAGE	LAMP	LAMPHOLDER	AMBIENT TEMP.	T RATING	APPROX WEIGHT
EC2N/250/MS	250W	HPS	E40	50°C	T4	15Kg

TYPE OF PROTECTION.....EX na R (NON SPARKING) (RESTRICTED BREATHING ENCLOSURE)  
 AREA CLASSIFICATION.....ZONE 2 AREAS TO BS EN 60079-14  
 STANDARD.....BS EN 60079-15  
 CERTIFICATE.....ATEX TYPE EXAMINATION BaseefaTEX0393X  
 CODE II 3G EX na R II (SEE TABLE) Tamb(SEE TABLE)  
 INGRESS PROTECTION.....IP65 TO BS EN60529 (IEC 529)  
 CONTROL GEAR.....INTERNAL COPPER/IRON, IGNITOR  
 INTERNAL PFC CAPACITOR  
 VOLTAGE RANGE :.....220V 50 HZ  
 TERMINATION:.....LOOPING UP TO 6mm<sup>2</sup> 3-CORE CABLE AS STANDARD



OP No	MADE BY	CHANGE	TOLERANCE	NOTE	PART
		N/A			

**Chalant Lighting**

Chalant Lighting  
 388 Hillington Road,  
 Glasgow G52 4BL,  
 Scotland

TITLE  
 EC2N/250/MS/PE/HEC20001  
 c/w Full Dome Reflector

DRAWN	SLG
CHECKED	SLG
APPROVED	SLG
DATE	12/05/2005

WITHOUT OUR PERMISSION THIS DRAWING, WHICH IS OUR  
 COPYRIGHT, MAY NOT BE REPRODUCED OR MADE AVAILABLE  
 TO THIRD PARTIES  
 AUTHORIZATION IS GIVEN TO .....  
 TO REPRODUCE THIS DRAWING FOR INTERNAL PURPOSES ONLY.

FINISH	N/A	SURFACE ROUGHNESS	
DIMS. IN	MM	SCALE	-
DRAWING NUMBER/SHEET NUMBER	F2066	1 OF 1	