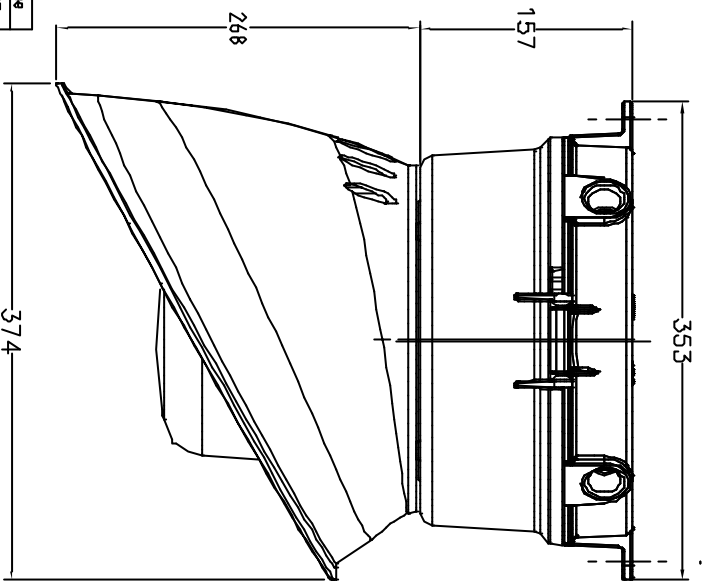
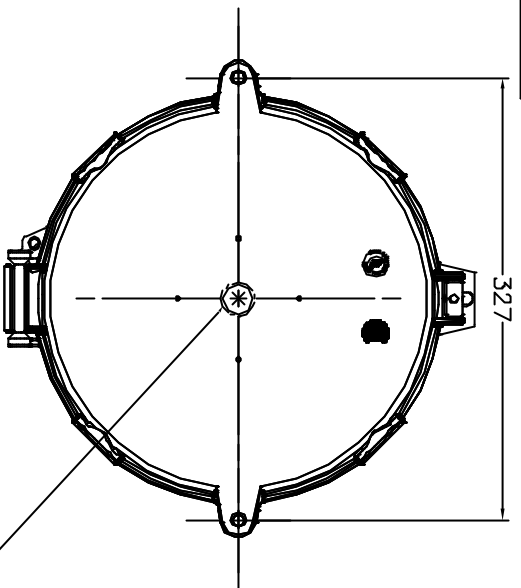


REMOVE ALL BURRS & SHARP EDGES

IF IN DOUBT ASK!

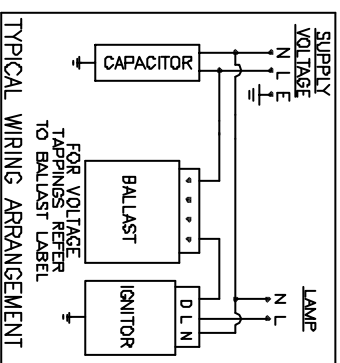
30° ANGLE PROJECTION



M25 PENDANT ENTRY

CAT NO.	WATTAGE	LAMP	LAMPHOLDER	AMBIENT TEMP.	T RATING	APPROX WEIGHT
EC2N/400/MS	250W	HPS	E40	45°C	T3	15.5 Kg

TYPE OF PROTECTION.....EX na R (NON SPARKING) (RESTRICTED BREATHING ENCLOSURE)
 AREA CLASSIFICATION.....ZONE 2 AREAS TO BS EN 60079-14
 STANDARD.....BS EN 60079-15
 CERTIFICATE.....ATEX TYPE EXAMINATION BaseefaATEX0393X
 CODE II 3G EX na R II T(SEE TABLE) Tamb(SEE TABLE)
 INGRESS PROTECTION.....IP65 TO BS EN60529 (IEC 529)
 CONTROL GEAR.....INTERNAL COPPER/IRON, IGNITOR
 INTERNAL PFC CAPACITOR
 VOLTAGE RANGE :.....220V 50 HZ
 TERMINATION:.....LOOPING UP TO 6mm² 3-CORE CABLE AS STANDARD



DRAWN	SLB
CHECKED	SLB
APPROVED	SLB
DATE	17/05/2005

WITHOUT OUR PERMISSION THIS DRAWING, WHICH IS OUR COPYRIGHT, MAY NOT BE REPRODUCED OR MADE AVAILABLE TO THIRD PARTIES. AUTHORIZATION IS GIVEN TO REPRODUCE THIS DRAWING FOR INTERNAL PURPOSES ONLY.

CHANGED	DATE	BY	REASON

Chalmit Lighting

Chalmit Lighting
 388 Hillington Road,
 Glasgow G52 4BL,
 Scotland
 Tel: 0141 882 0855 Fax: 0141 883 3704

TITLE: EC2N/400/MS/PE/IEC20-0002
 400 W HPS
 c/w Half Dome Reflector
 DRAWING NUMBER/SHEET NUMBER
 F2066 1 OF 1