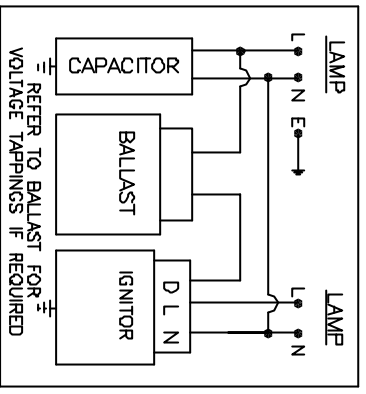


STANCHION MOUNTING ARRANGEMENT  
TO SUIT POLE THREADED 1 1/4" NPT



WIRING DIAGRAM

WATTAGE	LAMP	AMBIENT TEMP(-45°C TO)	T RATING	VOLTAGE
70W	SON MBI	50°C	T4	220V 50 HZ

TYPE OF PROTECTION.....Ex nA R (NON SPARKING) (RESTRICTED BREATHING ENCLOSURE)  
 AREA CLASSIFICATION.....ZONE 2 AREAS TO BS EN 60079-14  
 STANDARD.....BS EN 50021  
 CERTIFICATE.....ATEX TYPE EXAMINATION EECs BAS98ATEX3197X  
 CODE Ex II 3G EEx nA R II T(SEE TABLE) Tommb(SEE TABLE)  
 INGRESS PROTECTION...IP66 TO BS EN60529 (IEC 529)

DRAWN	RJK
CHECKED	RJK
APPROVED	RJK
DATE	19-11-91

WITHOUT OUR PERMISSION THE DRAWING WHICH IS OUR  
 PROPERTY, AND NOT BE REPRODUCED OR MADE AVAILABLE  
 TO OTHER PARTIES  
 AUTOMATICALLY IS GIVEN TO THE USER OF THIS DRAWING  
 TO REPRODUCE THIS DRAWING FOR INTERNAL PURPOSES ONLY.

CHANGE	MATERIAL	TOLERANCE	ISSUE	DATE	<p><b>Chalmert Lighting</b>                  368 Hillingdon Road,                  Glasgow G52 4BL                  Scotland                  Tel: 0141-802 5555 Fax: 0141-863 3704</p>
	CAST ALUMINIUM (BODY & LID)				
	FINISH PAINTED GREY (BODY & LID)	SURFACE ROUGHNESS			
	DIM-	SCALE-			
TITLE ECUN/07D/HS/ST Zone 2 Well- Stanchion Mounted DRAWING NUMBER/SHEET NUMBER F1986					