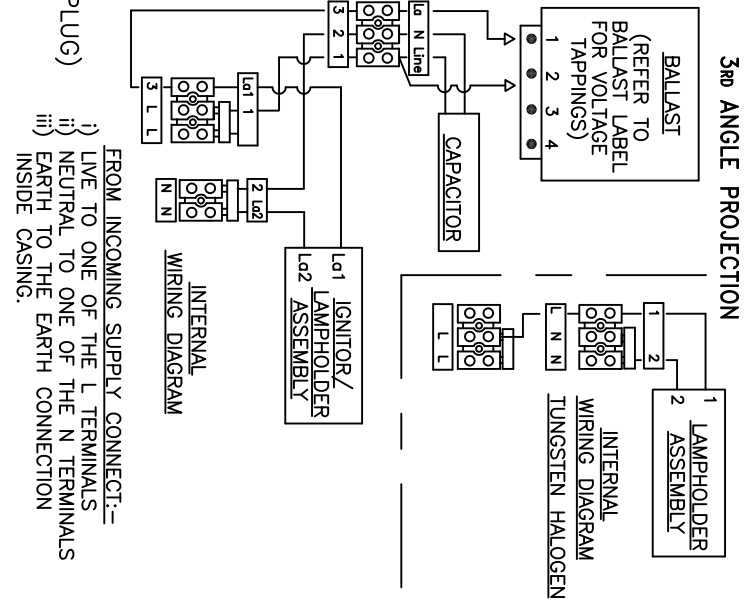
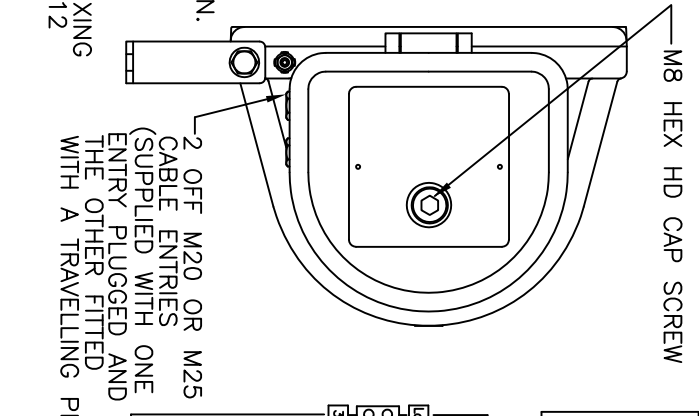
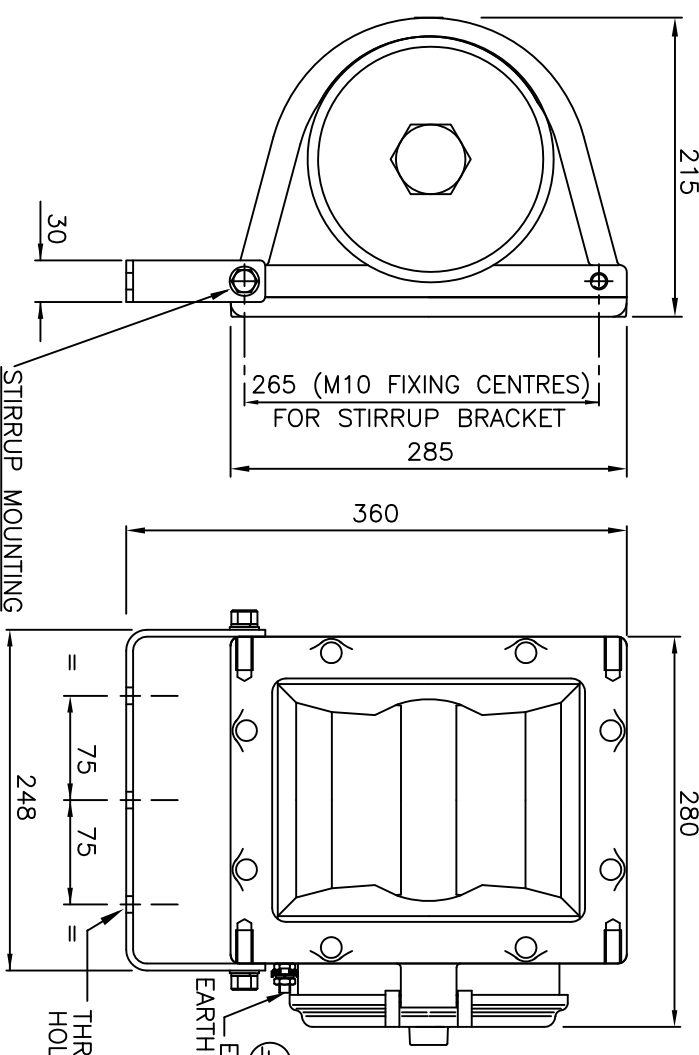


DRAWING NUMBER/SHEET NUMBER
F1065

REMOVE ALL BURRS & SHARP EDGES

IF IN DOUBT ASK!

3RD ANGLE PROJECTION



FROM INCOMING SUPPLY CONNECT:-
 i) LIVE TO ONE OF THE L TERMINALS
 ii) NEUTRAL TO ONE OF THE N TERMINALS
 iii) EARTH TO THE EARTH CONNECTION INSIDE CASING.

M10x25Lg HEX HEAD SCREW
 M10 PLAIN WASHER
 M10 SPRING WASHER

STIRRUP MOUNTING

LUMINAIRE	VOLTAGE	T CLASS	T Amb	SECONDARY GLASS FITTED	LAMPHOLDER	WEIGHT
EVD/150/24		T3	55°C	NO		
EVD/300/TL		T3	55°C	YES		
(200W MAX T/HAL)	UP TO 264V	T2	50°C	YES		
		T3	25°C	YES		
EVD/300/TL		T2	40°C	YES	R7s	10Kgs
(250W MAX T/HAL)		T2	50°C	NO		
		T3	20°C	NO		
EVD/300/TL		T2	40°C	YES & NO		
(300W MAX T/HAL)		T2	40°C			
EVD/070/MS		T4	40°C			
(70W SON/T)		T3	55°C			
EVD/070/MS		T4	40°C	NO	E27	12Kgs
(70W HQI/E)		T3	55°C			

TYPE OF PROTECTION: Ex de FLAMEPROOF & INCREASED SAFETY
 AREA CLASSIFICATION: ZONE 1 & 2, GAS GROUPS IIA, IIB & IIC
 TO BS EN 60079--14
 BS EN 50014/18/19
 STANDARD: ATEX TYPE EXAMINATION ECSS BAS9ATEX2228
 CERTIFICATE: Ex II 2 G EEX de IIC Tamb(SEE TABLE)
 CODING: IP66/67 TO BS EN60529 (IEC 529)
 INGRESS PROTECTION: UP TO 6mm² (3 CORE) FOR FOR LOOPING
 BEAM TYPE: WIDE ANGLE

Chalmit Lighting

Chalmit Lighting
 368 Hillington Road,
 Glasgow G52 4BL
 Scotland
 Tel:0141 882 5555 Fax:0141 883 3704

TITLE
 EVO JNR FLOODLIGHT GA
 IIC APPLICATIONS
 STIRRUP MOUNTING

DRAWING NUMBER/SHEET NUMBER
 F1065 1 DF 1

DRAWN	sheet
CHECKED	sheet
APPROVED	sheet
DATE	29.01.08

REF. DRGS:-