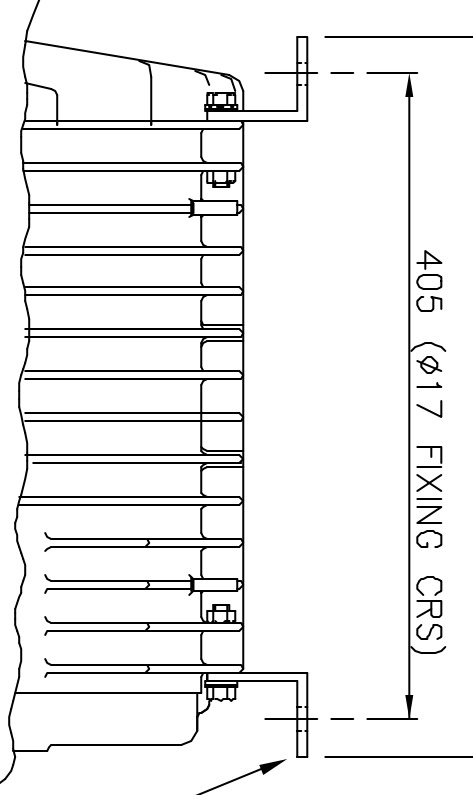
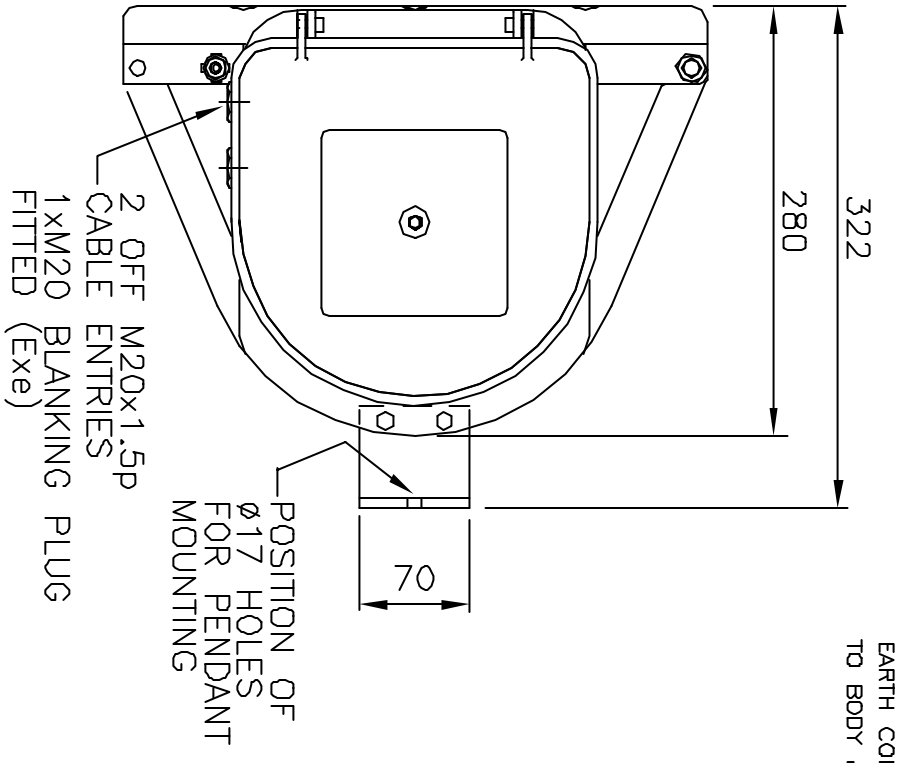
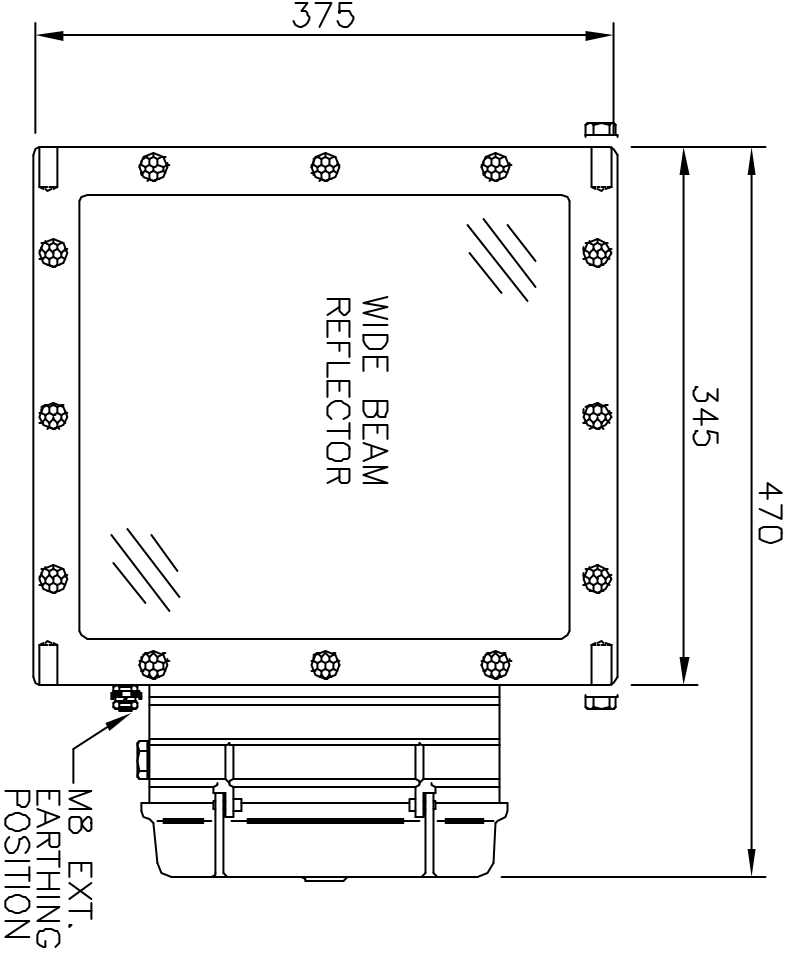


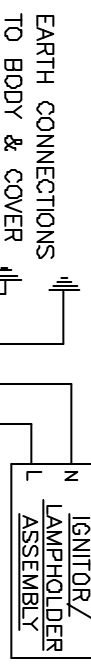
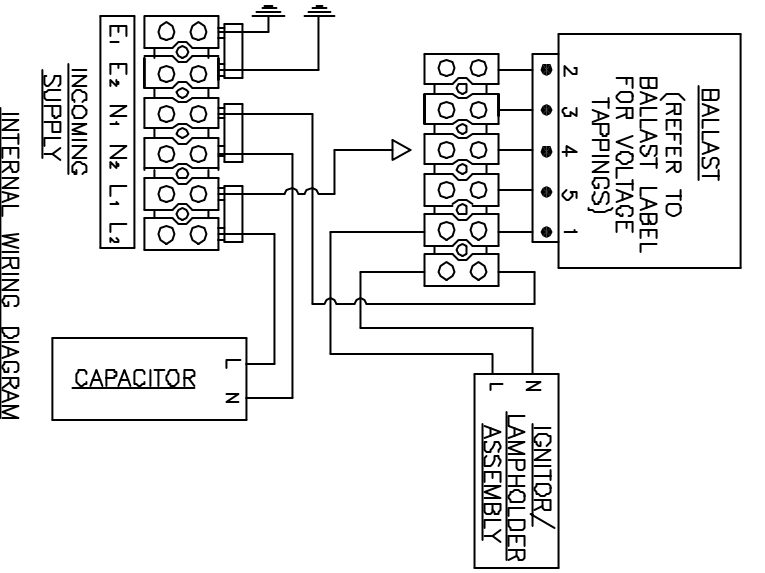
REMOVE ALL BURRS & SHARP EDGES

IF IN DOUBT ASK!

3RD ANGLE PROJECTION



EARTH CONNECTIONS TO BODY & COVER



EARTH CONNECTIONS TO BODY & COVER

TYPE OF PROTECTION...EX de FLAMEPROOF & INCREASED SAFETY AREA CLASSIFICATION...ZONE 1 & 2, GAS GROUPS IIA,IIB & IIC TO BS EN 60079-14  
 STANDARD...BS EN 50014/18/19  
 CERTIFICATE...ATEX TYPE EXAMINATION ECES BAS9BATEX2373  
 INGRESS PROTECTION...IP66/67 TO BS EN60529 (IEC 529)  
 INCOMING CABLE UP TO 6mm<sup>2</sup> (3 CORE) FOR FOR LOOPING BEAM TYPE WIDE, MEDIUM, NARROW ANGLE

LAMP	SUPPLY	T CLASS	T Amb	LAMPHOLDER	WEIGHT
150W SON-T/MBI-T		T4	40°C		28Kgs
250W SON-T/MBI-T	220/230/240/254V 50Hz	T3	55°C		
400W SON-T/MBI-T	OR	T3	55°C	E40	28.5Kgs
600W SON-T	220/230/240/254V 60Hz	T3	35°C		
500W S/E T/HAL		T3	40°C		25Kgs
500W LINEAR T/HAL		T3	55°C	R7s	

CHANGE	DCP NO	MOD BY	DATE	SCALE

**Chalmit Lighting**

Chalmit Lighting  
 388 Hillingdon Road,  
 Glasgow G52 4BL  
 Scotland  
 Tel:0141 882 5555 Fax:0141 883 3704

**EVD FLOODLIGHT GA  
 PENDANT MOUNTING  
 LAMP RANGE**

DRAWING NUMBER/SHEET NUMBER  
 F1063 1 OF 1

DRAWN J.T.C.  
 CHECKED  
 APPROVED  
 DATE 10/06/2002

REF. DRESS-