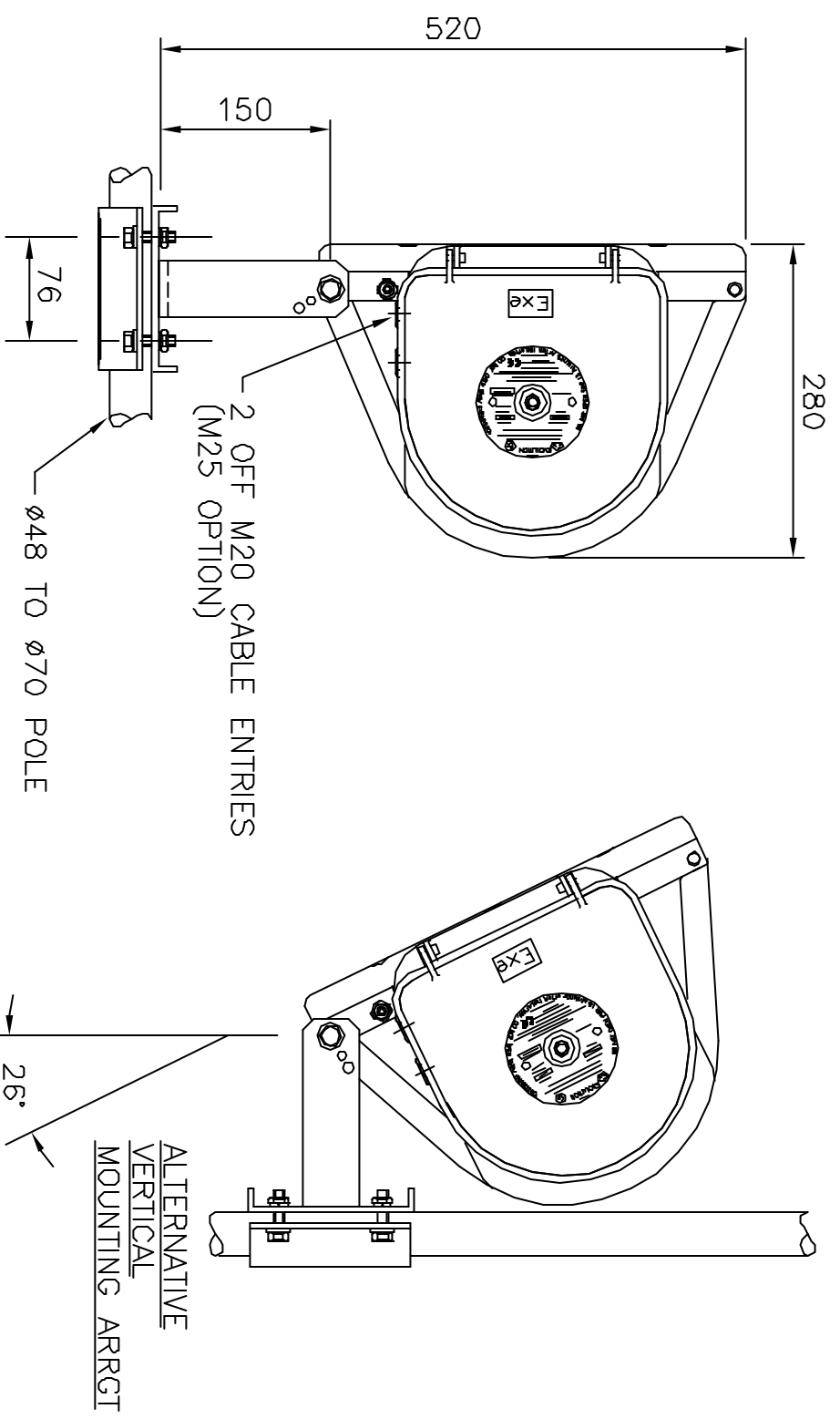
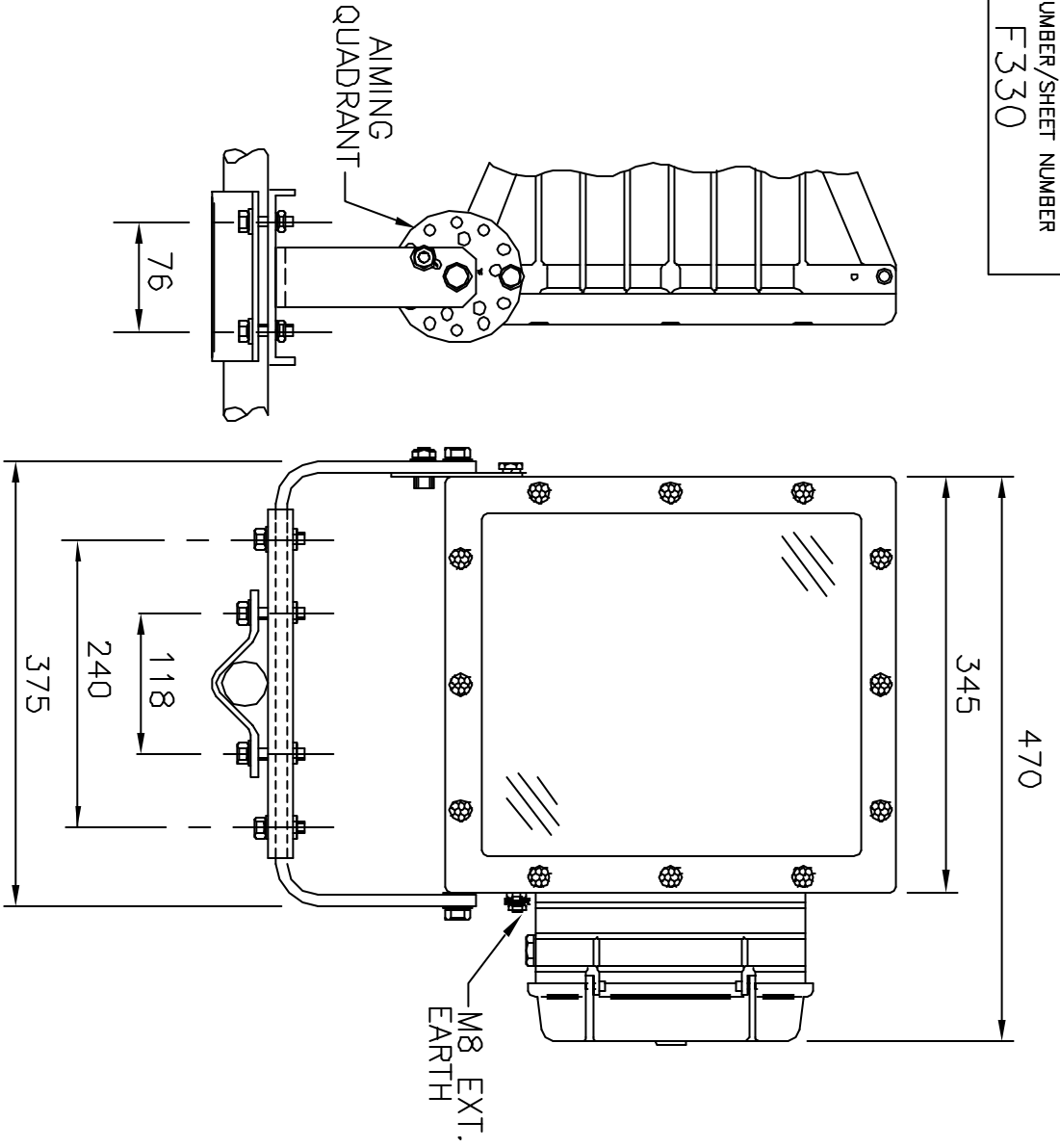


DRAWING NUMBER/SHEET NUMBER  
F330



FLOODLIGHT MODEL	VOLTAGE	T CLASS	T Amb	IP RATING	WEIGHT KGS
150W SON/T	220/230/240 254V @ 50Hz	T4	40°C	IP66/67	28
250W SON/T	240/250/270 277V @ 60Hz	T3	55°C	IP66/67	28
400W SON/T	220/230/240 254V @ 50Hz	T3	40°C	IP66/67	28
150W MBI/T	240/250/270 277V @ 60Hz	T4	40°C	IP66/67	28
250W MBI/T		T3	55°C	IP66/67	28
400W MBI/T		T3	40°C	IP66/67	28
UP TO 500W T/HAL MAX	270V MAX ac/dc	T3	40°C	IP66/67	26

FLOODLIGHT MODELS	VOLTAGE	T CLASS	T AMB	IP RATING	WEIGHT KGS
UP TO 600W (SON/T AND MBI/T) WITH REMOTE BALLAST IN CONTROL GEAR-BOX	220/230/240 254V 50Hz 240/250/270 277V 60Hz	T3	35°C	IP66/67	26

- ADDITIONAL OPTIONS
- i) MEDIUM OR NARROW BEAM REFLECTOR
  - ii) PROTECTIVE WIRE GUARD
  - iii) LOW TEMPERATURE MODELS DOWN TO -50°C (GAS GROUPS IIA & IIB ONLY)

AREA CLASSIFICATION  
ZONES 1 & 2 TO BS EN 60079-14 (GAS GROUPS IIA, IIB & IIC) INCOMING CABLE UP TO 6mm<sup>2</sup> (3 CORE) FOR LOOPING IS STANDARD

WITHOUT OUR PERMISSION THIS DRAWING WHICH IS OUR COPYRIGHT MAY NOT BE REPRODUCED OR MADE AVAILABLE TO THIRD PARTIES.  
AUTHORISATION IS GIVEN TO REPRODUCE THIS DRAWING FOR INTERNAL PURPOSES ONLY.

MATERIAL ALUM. LM6(BODY) ST/STEEL OR HOT DIP GALV. WILD STEEL(STIRRUP BRKT)	TOLERANCE	N/A
FINISH PTFE COATING FOR BODY(OPTIONAL)	SURFACE ROUGHNESS	N/A
REDRAWN	03 8-10-99	
ADDITIONAL VIEW WITH AIMING QUADRANT ADDED	02 25.4.97	
ADDITIONAL INFO ADDED	01 5.2.97	
CHANGE	ISSUE	DATE

**Chalmir Lighting**

Chalmir Lighting  
388 Hillington Road,  
Glasgow G52 4BL  
Scotland  
Tel: 0141-882 5565 Fax: 0141-883 3704

DRAWN	I.M.
CHECKED	
APPROVED	
DATE	17.12.96

REF. DRGS:-

DIM:- mm SCALE:-  
DRAWING NUMBER/SHEET NUMBER  
F330