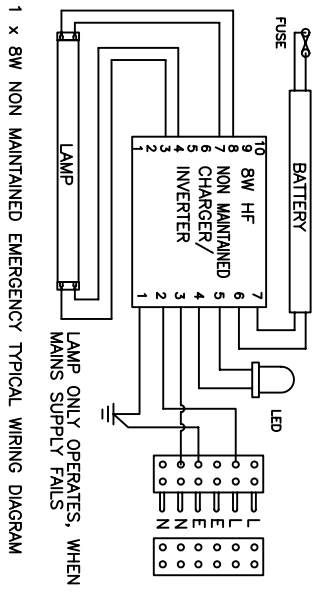
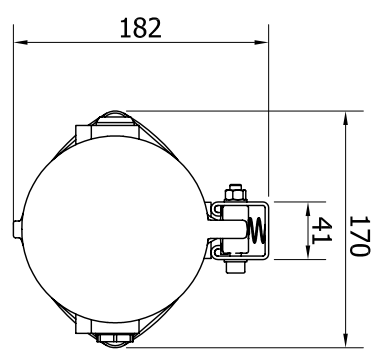
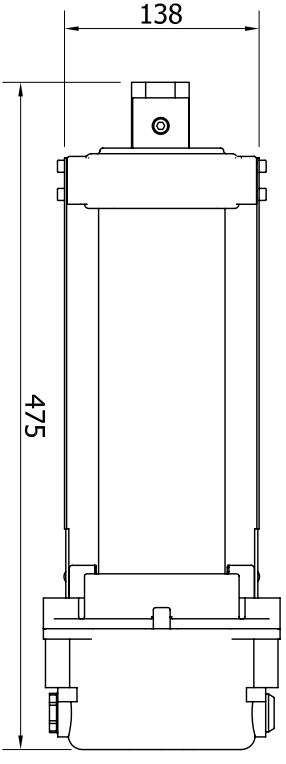
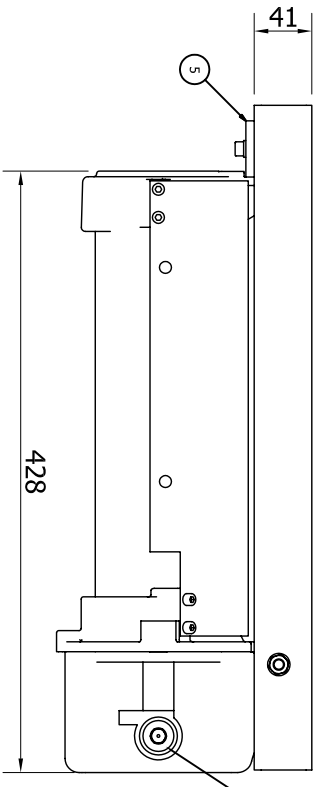
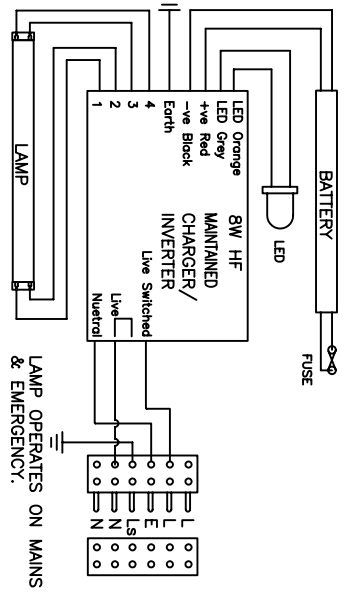


2 x M20 CABLE ENTRIES
1 EACH SIDE AS STANDARD



1 x 8W NON MAINTAINED EMERGENCY TYPICAL WIRING DIAGRAM



1 x 8W MAINTAINED EMERGENCY TYPICAL WIRING DIAGRAM

TYPE OF PROTECTION...Ex dm FLAMEPROOF
 AREA CLASSIFICATION...ZONE 1 & 21, G D
 TO BS EN 60079-14
 STANDARD...BS EN 60079-0, 60079-1, 60079-7 & EN 50281-1-1
 CERTIFICATE...EC TYPE EXAMINATION CERTIFICATE SIRAO5ATEX1299X
 CODE Ex II 2 G D EEx de IIC T6 (T omb 55°C)
 INGRESS PROTECTION...IP66/67 TO BS EN60529
 INCOMING CABLEUP TO 6mm² (4 CORE)
 CABLE ENTRY2xM20 x 1.5p TAPPED ENTRY
 SUPPLY VOLTAGE220V-254V 47/63Hz
 CONTROL GEAR.....HIGH FREQUENCY

DOF No.	MOD BY	MATERIAL	FINISH	TOLERANCE	SCALE	DATE	TITLE
		Aluminium	Painted				Chalmit Lighting Chalmit Lighting 368 Hillington Road, Glasgow G52 4BL, Scotland Tel:0141 882 5555 Fax:0141 883 3704

DRAWN	slieg
CHECKED	slieg
APPROVED	slieg
DATE	27/04/2007

WITHOUT OUR PERMISSION THIS DRAWING, WHICH IS OUR
 COPYRIGHT, MAY NOT BE REPRODUCED OR MADE AVAILABLE
 TO THIRD PARTIES.
 AUTHORIZATION IS GIVEN TO
 TO REPRODUCE THIS DRAWING FOR INTERNAL PURPOSES ONLY.

DIMS. IN MM SCALE -

DRAWING NUMBER/SHEET NUMBER
F2675 1 OF 1