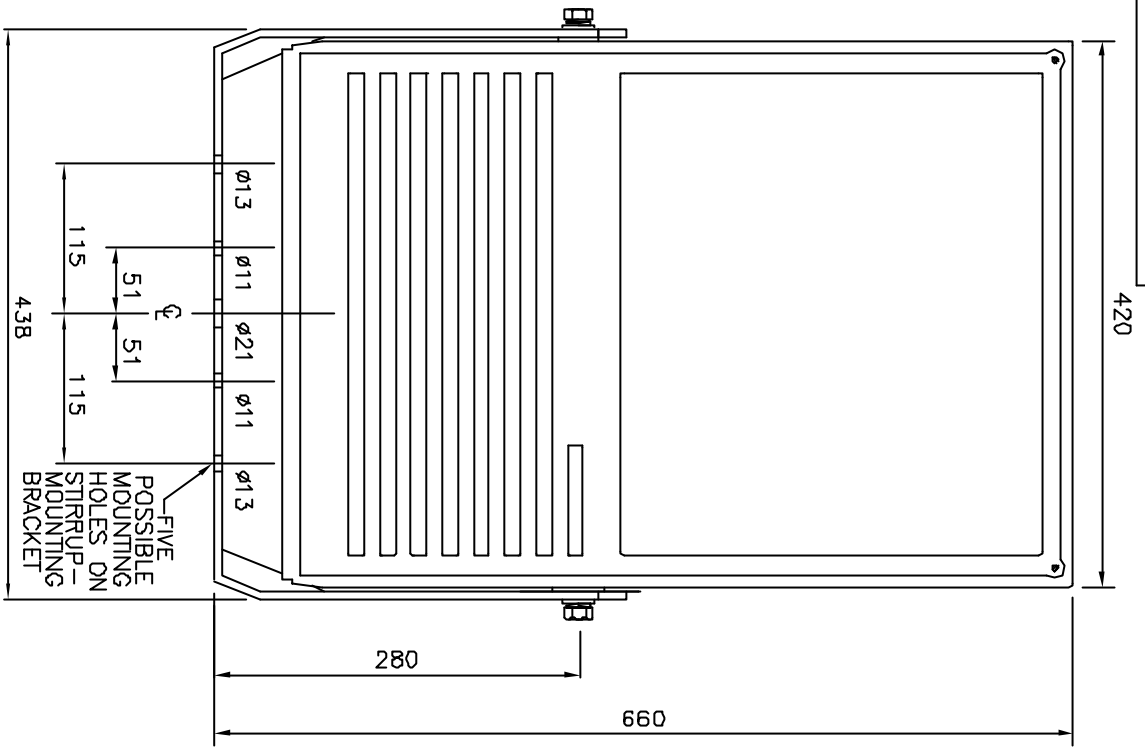


DRAWING NUMBER/SHEET NUMBER
F478

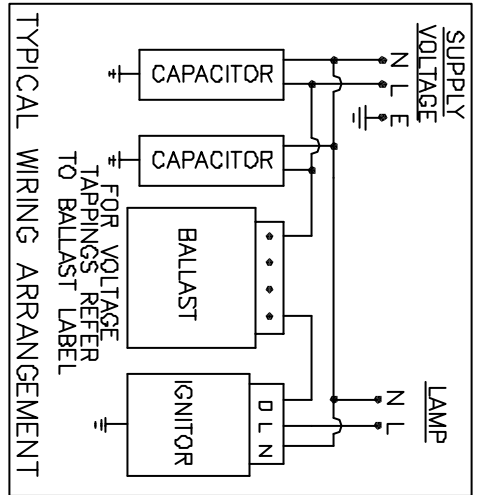


CABLE ENTRIES - THERE ARE TWO M20 CLEARANCE HOLES DRILLED THRO' BODY WITH PLUGS FITTED AS STANDARD FOR DELIVERY

- NOTE
- 1) * NO PFC CAPACITOR
 - 2) CAPACITOR CAN BE OPTIONAL ON ALL MODELS.

SUPPLY CABLE
6mm² (3-CORE)

AIMING QUADRANT FOR STIRRUP-MOUNTING BRACKET



Product Name	Stirrup Mounted Maxine Floodlight
Ex Classification	Ex n Restricted Breathing
Ex code	Ex nR II T(see table)
Certificate	BAS97ATEX4368
Voltage & Frequency	220-254V @ 50Hz or 220-254V @ 60Hz
Degree of Protection	BS EN 60529 / IEC 529

Wattage & Lamp	T Class	T amb (-45°C to)	Cable Temp Rating	Weight	Windage
150W SON/T	T4	55°C	90°C	14.5Kg	0.25m ²
150W SON/T	T4	55°C		15.5Kg	
250W SON/T	T3	55°C			
250W SON/T	T3	55°C			
400W MBI/T	230(T2)	55°C			
400W MBI/T	220(T2)	50°C			
400W MBI/T	T3	30°C			
400W SON/T	210(T2)	50°C		17.0Kg	
400W SON/T	210(T2)	55°C			
400W SON/T	T3	45°C			

Chalmit Lighting

CHANGING VOLTAGE FROM 200V TO 220V	07-07-09
AMB TEMP OF -45°C ADDED	02 28-0-00
CAPACITOR OPTIONAL NOTE ADDED	06-07-00
ATEX CERT ADDED, AMBIENT RANGES ADDED	01 06-07-00
CHANGE	ISSUE DATE

FINISH BODY & STIRRUP PAINTED BLACK

TOLERANCE SURFACE ROUGHNESS

DETAILS OF EX nR MAXINE FLOODLIGHT FOR ZONE 2 AREAS

DRAWN	J.T.C
CHECKED	R.U.K
APPROVED	R.U.K
DATE	24.11.98

WEIGHT, DIM PROVISION, TYPING, DRAWING, MARK, IS OUR PROPERTY, AND NOT BE REPRODUCED OR MADE AVAILABLE TO THIRD PARTIES.

INTERPRETATION IS OUR RESPONSIBILITY. CONTACT US FOR ANY INFORMATION TO REFERENCE THE DRAWING FOR MATERIAL SPECIFICATIONS.

DIM- mm SCALE- 1 : 4