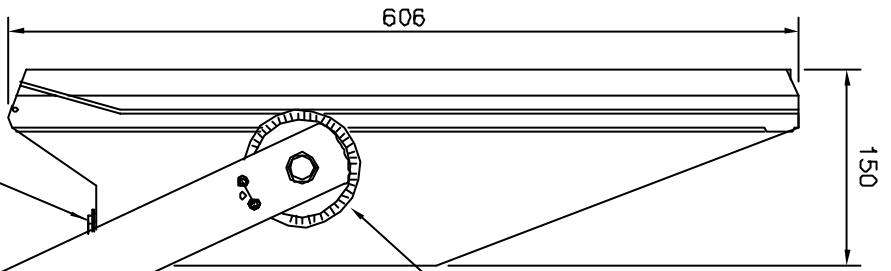


FIVE POSSIBLE MOUNTING HOLES ON STIRRUP - MOUNTING BRACKET



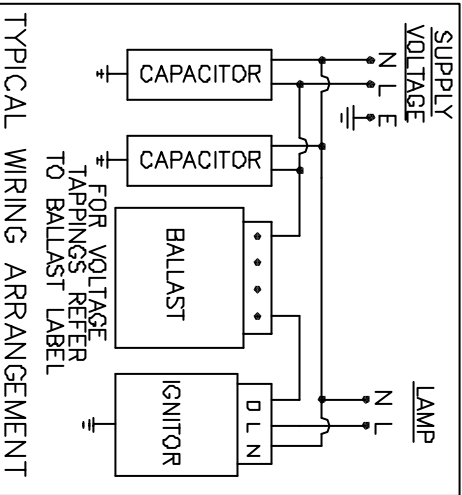
AIMING QUADRANT FOR STIRRUP - MOUNTING BRACKET

CABLE ENTRIES THERE ARE TWO M20 CLEARANCE HOLES DRILLED THRO' BODY WITH PLUGS FITTED AS STANDARD FOR DELIVERY

NOTE
1) * NO PFC CAPACITOR
2) CAPACITOR CAN BE OPTIONAL ON ALL MODELS.

SUPPLY CABLE 6mm² (3-CORE)

Product Name	Stirrup Mounted Maxnex Floodlight
Ex Classification	Ex n Restricted Breathing
Ex code	Ex nR II (see table)
Certificate	BAS97ATEX4.36B
Voltage & Frequency	200-254V @ 50Hz or 210-254V @ 60Hz
Degree of Protection	BS EN 60529 / IEC 529



Wattage & lamp	T Class	T amb (-45°C to)	Cable Temp Rating	Weight	Windage
150W SON/T	T4	55°C	14.5Kg		
150W SON/T	T3	55°C	15.5Kg		
250W SON/T	T3	55°C	0.25m ²		
400W MBI/T	230(T2)	55°C			
400W MBI/T	220(T2)	50°C			
400W MBI/T	T3	30°C			
400W SON/T	210(T2)	50°C			
400W SON/T	210(T2)	55°C			
400W SON/T	T3	45°C		17.0Kg	

POLE MOUNTING ARRGT ADDED	05-05-09	Chalmit Lighting
AMB TEMP OF -45°C ADDED	28-8-00	308 Hillington Road, Scarborough YO2 9BL
CAPACITOR OPTIONAL NOTE ADDED	6-7-00	Scarborough
ATEX CERT ADDED. AMBIENT RANGES ADDED	D1	1st Flr 111-888 5555 Fax 0114-893 3704
CHANGE	SSILE	DATE
MATERIAL BODY (CAST ALUMINIUM)	TOLERANCE	
FINISH BODY & STIRRUP PAINTED BLACK	SURFACE ROUGHNESS	

Chalmit Lighting

DRAWN	Scale
CHECKED	
APPROVED	
DATE	08-06-08
REF. DESIG	

WHICH? OUR PERMISSION THE DRAWING HERE IS OUR PROPERTY AND NOT BE REPRODUCED OR MADE AVAILABLE TO THIRD PARTIES.
AUTHORIZATION IS GIVEN TO CONTRACTORS TO REPRODUCE THE DRAWING FOR INTERNAL PURPOSES ONLY.
DIV - mm
SCALE - 1 : 4
TITLE DETAILS OF EX NR MAXNEX FLOODLIGHT POLE MOUNTED ARRGT
DRAWING NUMBER/SHEET NUMBER F2050