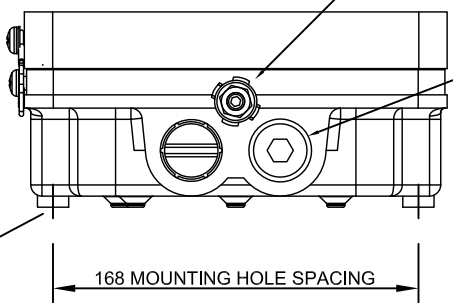


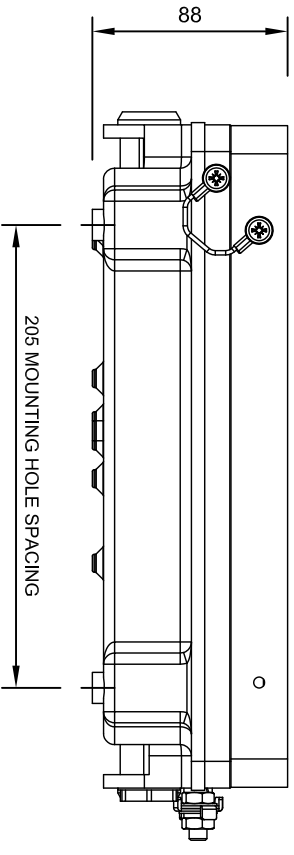
2 OFF M20 CABLE ENTRIES

EXTERNAL EARTH POINT

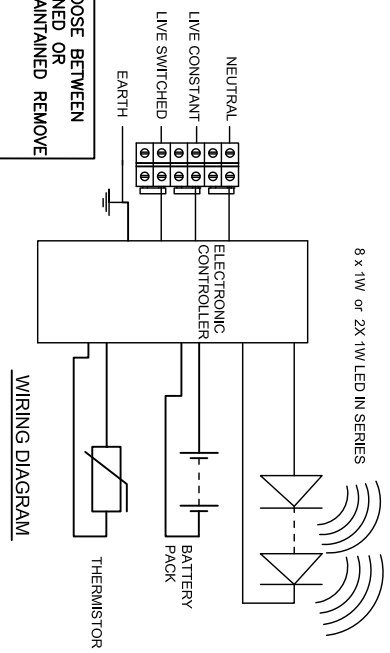


NOTES:

- 1) TYPE OF PROTECTION: Ex e Ib mb
- 2) ATEX CLASSIFICATION: GROUP II CATEGORY 2 G D
- 3) AREA CLASSIFICATION: ZONE 1 AND ZONE 21 AREAS TO EN60079-10 AND EN50281-3 WITH INSTALLATION TO EN60079-14 AND EN50281-1-2 GAS GROUP II TO EN 60079-14
- 4) APPARATUS STANDARD: EN60079-0, EN60079-7, EN60079-11 EN60079-18 AND EN 50281-1-1
- 5) CERTIFICATE: EC TYPE EXAMINATION CERTIFICATE Baseefa04ATEX0245
- 6) CODING: Ex II 2G Ex e Ib mb IIC T4 (Tamb = -20 C to +55 C Ex II 2D T100C)
- 7) ENCLOSURE: CAST ALUMINIUM WITH TOUGHENED GLASS AND SILICONE GASKET
- 8) REFLECTOR: BRUSHED ALUMINIUM
- 9) ENTRY : 2 X M20
- 10) TERMINATION: 4 CORE 6MM SQ MAX CONDUCTOR WITH LOOPING
- 11) INSTALLATION: SURFACE MOUNTED , 4 MOUNTING HOLES LOCATED OUTSIDE OF SEAL
- 12) LAMP TYPE: 2X1W LED (LIGHT EMITTING DIODES) ..COLOUR : WHITE 8X1 W LED (LIGHT EMITTING DIODES)..:COLOUR: WHITE
- 13) CONTROL GEAR: ELECTRONIC
- 14) BURNING POSITION: UNIVERSAL
- 15) INGRESS PROTECTION: IP66/67 TO EN60529
- 16) EMERGENCY DURATION: 3W VERSION -30 MINUTES 2 W VERSION -3 HOURS
- 17) ELECTRICAL SUPPLY : 110-254V AC/DC NELE/201/LE/EM4.5Kg NELE/801/LE/EM.....4.6Kg
- 18) PRODUCT WEIGHT:



TO CHOOSE BETWEEN MAINTAINED OR NON-MAINTAINED REMOVE LINK.



WIRING DIAGRAM

REF. DRGS.-	DATE	APPROVED	CHECKED	DRAWN
	06/06/2007	Slee	Slee	Slee

REF. DRGS.-	DATE	APPROVED	CHECKED	DRAWN
	06/06/2007	Slee	Slee	Slee

REF. DRGS.-	DATE	APPROVED	CHECKED	DRAWN
	06/06/2007	Slee	Slee	Slee

Chalmrit Lighting

Chalmrit Lighting
368 Hillington Road,
Glasgow G52 4BL,
Scotland
Tel:0141 882 5555 Fax:0141 883 3704

NEXLED
2-8W LED
EMERGENCY VERSION

DRAWING NUMBER/SHEET NUMBER
F2706 1 DF 01

SCALE - 1:2

SEE NOTES

SEE NOTES

SEE NOTES

AMENDED PRODUCT NOTES

22.08.0

22.08.0

22.08.0

22.08.0

22.08.0

22.08.0

22.08.0

22.08.0

22.08.0

22.08.0

22.08.0

22.08.0

22.08.0

22.08.0