

1
DRAWING NUMBER/SHEET NUMBER
H014510

2 3 4 5 6 7 8

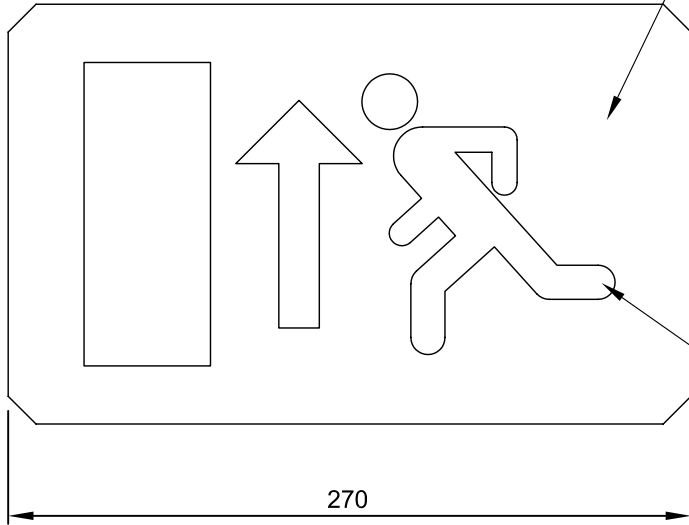
REMOVE ALL BURRS & SHARP EDGES

IF IN DOUBT ASK!

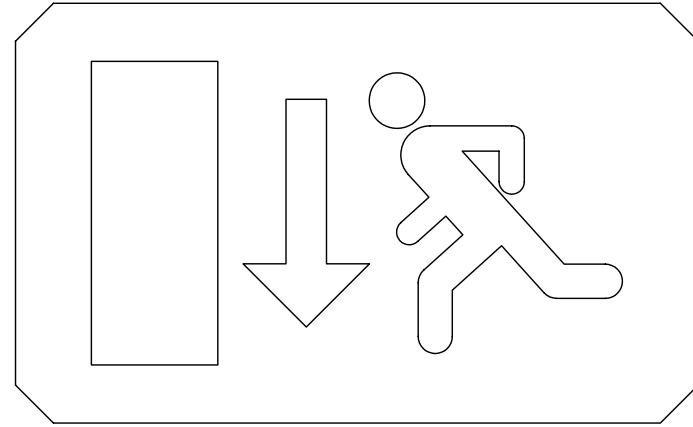
3RD ANGLE PROJECTION

166

'UP' EXIT SIGN



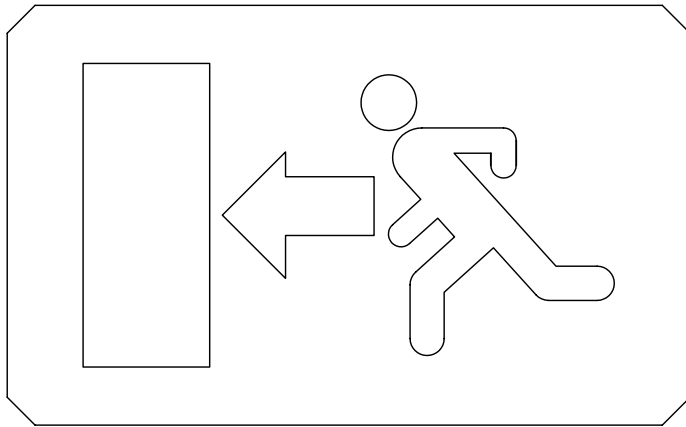
GREEN SURFACE



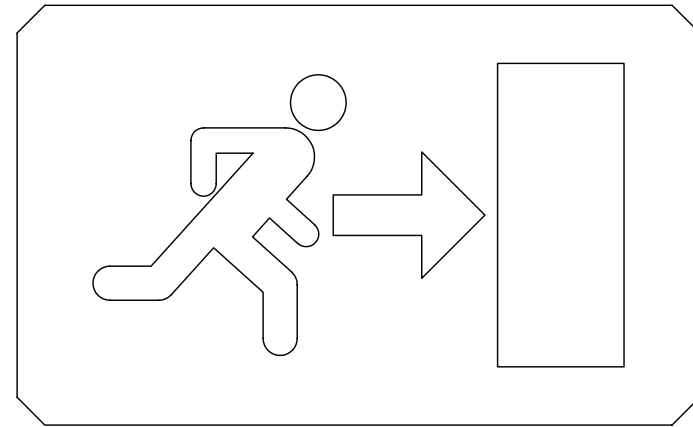
WHITE TO FORM GRAPHICS

'DOWN' EXIT SIGN

270



'LEFT' EXIT SIGN



'RIGHT' EXIT SIGN

MATERIAL - VINYL SELF ADHESIVE

COLOURS TO COMPLY WITH ISO 16069

DCF No	MOD BY	CHANGE	ISSUE	DATE

Chalmit Lighting

Chalmit Lighting
388 Hillington Road,
Glasgow G52 4BL
Scotland
Tel:0141 882 5555 Fax:0141 883 3704

DRAWN	slee
CHECKED	slee
APPROVED	slee
DATE	29/07/2008

WITHOUT OUR PERMISSION THIS DRAWING, WHICH IS OUR COPYRIGHT, MAY NOT BE REPRODUCED OR MADE AVAILABLE TO THIRD PARTIES.
AUTHORISATION IS GIVEN TO
TO REPRODUCE THIS DRAWING FOR INTERNAL PURPOSES ONLY.

MATERIAL
VINYL SELF ADHESIVE

TOLERANCE

FINISH

SURFACE ROUGHNESS

DIMS. IN MM

SCALE - 1:1

TITLE
NEXLED EMERGENCY EXIT SIGN KIT

DRAWING NUMBER/SHEET NUMBER
H014510 0F

REF. DRGS.--

A

B

C

D

E

F

