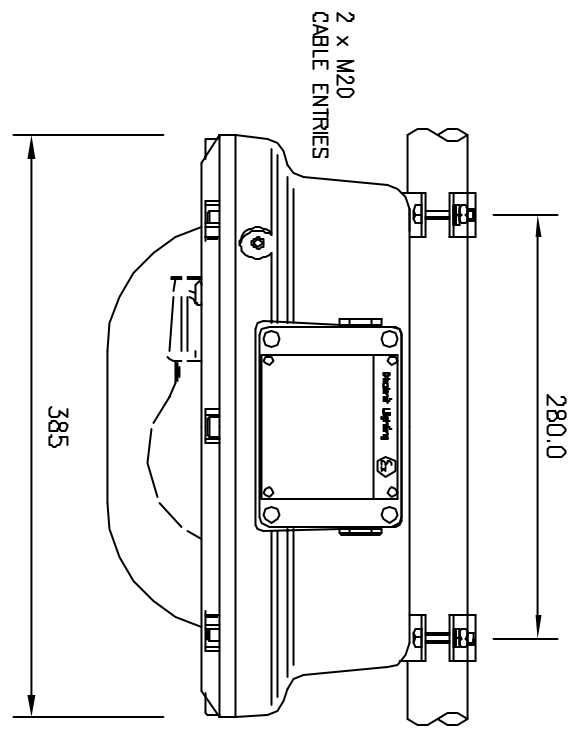


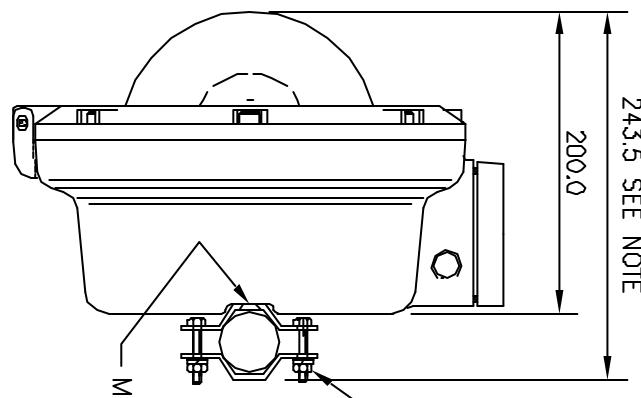
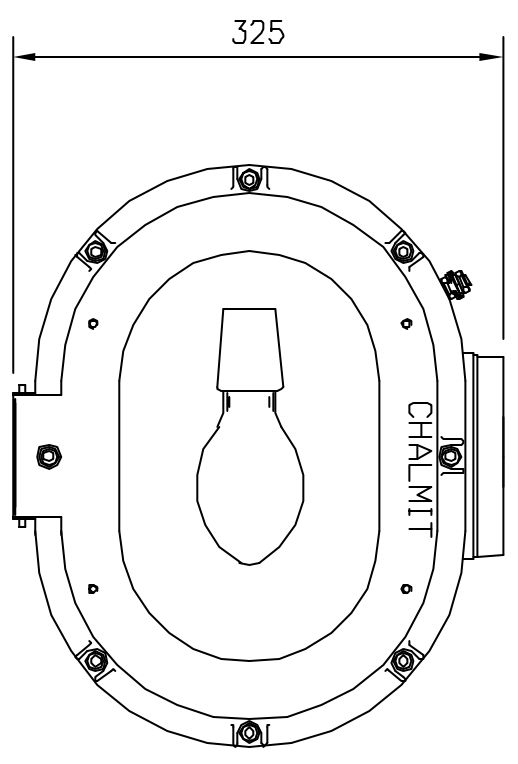
REMOVE ALL BURRS & SHARP EDGES

IF IN DOUBT ASK!

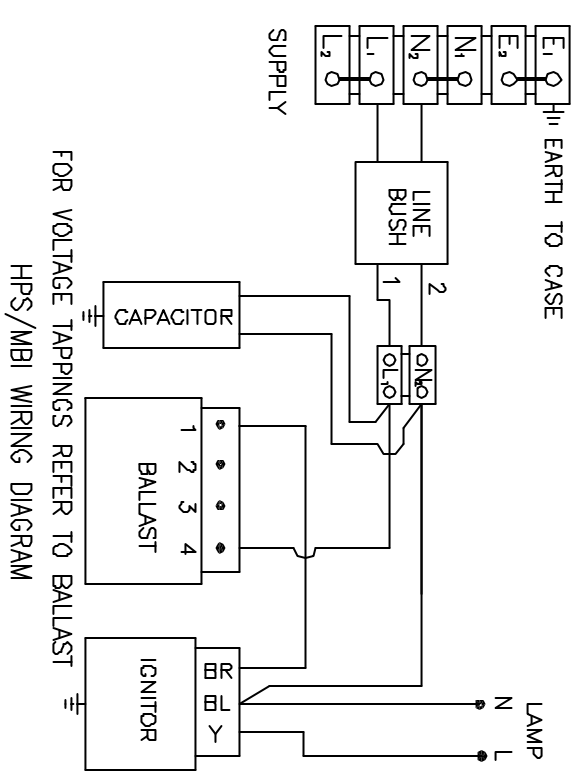
3RD ANGLE PROJECTION



Dimension will vary depending on pole diameter, diameter of pole illustrated is 40mm



M6x45 HEX HD. SET SCREW (2 OFF)
M6 HEX HEAD NUT (2 OFF)
M6 SPRING WASHER (2 OFF)



FOR VOLTAGE TAPPINGS REFER TO BALLAST HPS/MBI WIRING DIAGRAM

TYPE OF PROTECTION...Ex de FLAMEPROOF & INCREASED SAFETY AREA CLASSIFICATION...ZONE 1 & 2, GAS GROUPS IIA & IIB TO BS EN 60079-14
STANDARD...BS EN 50014/18/19
CERTIFICATE...ATEX TYPE EXAMINATION ECES Baseef002ATEX0168 CODE EEx de IIB T4 Tamb(SEE TABLE)
INGRESS PROTECTION...IP66/67 TO BS EN60529 (IEC 529)
INCOMING CABLE UP TO 6mm² (3 CORE) FOR FOR LOOPING

DRAWN	J.T.C.	LUMINAIRE	RATED SUPPLY	T CLASS	T amb	LAMPHOLDER	WEIGHT
CHECKED	J.T.C.			T4	55°C	E27	8.5kgs
APPROVED	J.T.C.	NEVIS/070/MS	230V 50Hz				
DATE	03/04/2003						

WITHOUT OUR PERMISSION THIS DRAWING, WHICH IS OUR COPYRIGHT, MAY NOT BE REPRODUCED OR MADE AVAILABLE TO THIRD PARTIES.
AUTHORISATION IS GIVEN TO REPRODUCE THIS DRAWING FOR INTERNAL PURPOSES ONLY.

DCP No	MOD BY	CHANGE	MATERIAL	TOLERANCE	ISSUE	DATE
			ALUMINIUM LMB			
			FINISH	SELF		

Chalmit Lighting

Chalmit Lighting
38B, Hillington Road,
Ciregaw
Scotland G82 4BL
Tel:0141 802 5555 Fax:0141 883 3704

NEVIS 70W BULKHEAD
POLE MOUNTING
OUTLINE GA
DRAWING NUMBER/SHEET NUMBER
F1385 1 OF 1