

REMOVE ALL BURRS & SHARP EDGES

IF IN DOUBT ASK!

3RD ANGLE PROJECTION

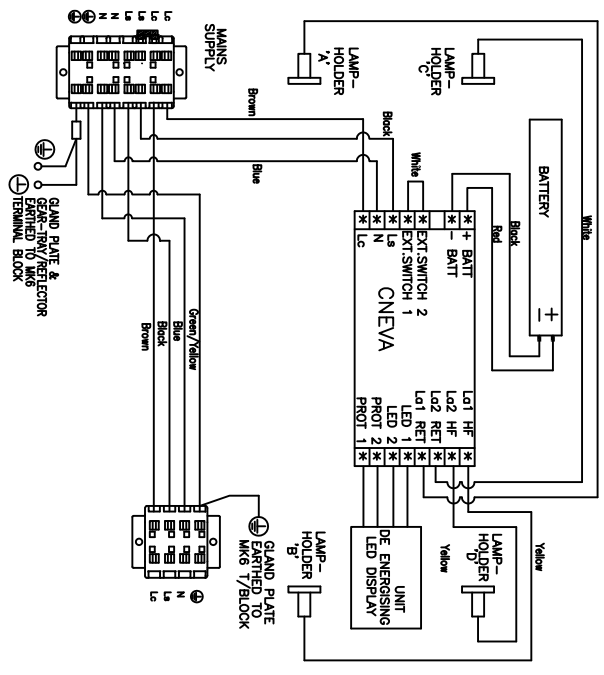
NOTES

TYPE OF PROTECTION.....Ex eqm (Increased Safety/Powder Filling/Encapsulation)
 AREA CLASSIFICATION.....ZONE 1 & 21, GAS GROUPS IIA, IIB & IIC
 TO BS EN 60079-10 & EN50281-3 &
 INSTALLATION TO EN60079-14 &
 INSTALLATION TO EN60079-14 & EN50281-1-2
 STANDARD..... BS EN 50014/17/28 & EN 50281-1-1
 CERTIFICATEATEX TYPE EXAMINATION Baseefa04ATEX0220
 CODING.....Ex II 2 G D EEx eqm II T4 Tamb 55°C
 INGRESS PROTECTION.....IP66/67 TO BS EN60529 (IEC 529)
 INCOMING CABLE UP TO 6mm (4 CORE) FOR FOR LOOPING

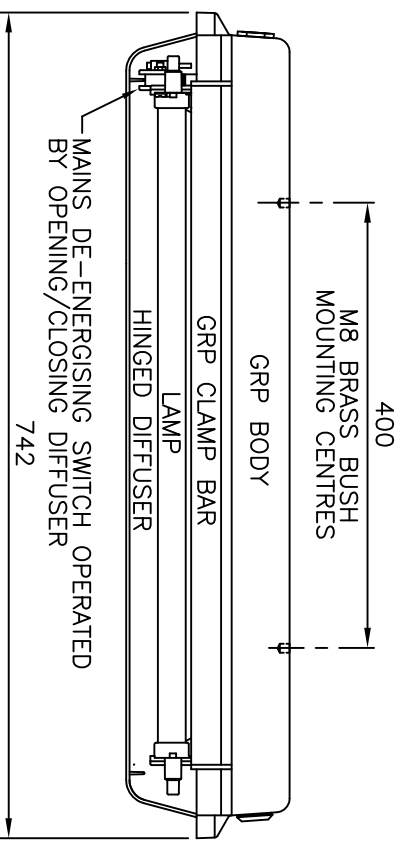
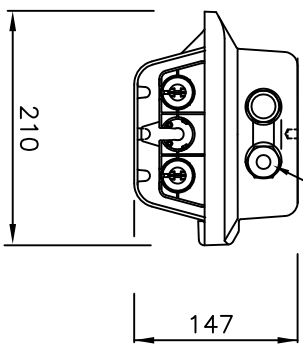
NOTES:

- a) BATTERY IS CONTAINED INSIDE THE BODY.
- b) THRO' WIRING IS STANDARD ON ALL MODELS.

WIRING DIAGRAM



TWO M20 CABLE ENTRIES
 AT EITHER END OF BODY
 THRO' GLAND PLATES
 (UNUSED ENTRIES ARE TO BE
 PLUGGED USING Ex'e' PLUGS)



EMERGENCY OUTPUT:

STANDARD.....90min-(4ah Battery) =50%
 3H3 Hour-(4ah Battery) =30%

LUMINAIRE	WATTAGE	LAMP TYPE	WEIGHT
PRGE/218/BI/EM	2X18W	BI PIN	8.3Kg
PRGE/218/MO/EM	2X18W	MONO PIN	8.3Kg

DRAWN	sheet
CHECKED	sheet
APPROVED	sheet
DATE	31.01.08

REF. DRGS:-

CDR No.	MOD BY	CHANGE	DATE

Chalmit Lighting

Chalmit Lighting
 368 Hillington Road,
 Glasgow G52 4BL,
 Scotland
 Tel:0141 882 5555 Fax:0141 883 3704

TITLE
 PROTECTA EMERGENCY GA
 2X18W EMERGENCY FLUORESCENT
 SURFACE MOUNTING

DRAWING NUMBER/SHEET NUMBER
 H010735 1 DF 1

WITHOUT OUR PERMISSION THIS DRAWING, WHICH IS OUR
 COPYRIGHT, MAY NOT BE REPRODUCED OR MADE AVAILABLE
 TO THIRD PARTIES.
 AUTHORIZATION IS GIVEN TO
 TO REPRODUCE THIS DRAWING FOR INTERNAL PURPOSES ONLY.

MATERIAL	CHANGE	FINISH	DIMS. IN	SCALE
Material		Finish	MM	-
TOLERANCE		SURFACE ROUGHNESS		