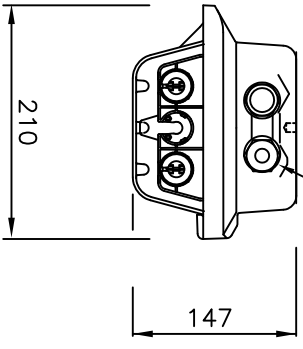


NOTES

TYPE OF PROTECTION.....Ex eqm (Increased Safety/Powder Filling/Encapsulation)
 AREA CLASSIFICATION.....ZONE 1 & 21, GAS GROUPS IIA, IIB & IIC
 TO BS EN 60079-10 & EN50281-3 &
 INSTALLATION TO EN60079-14 &
 INSTALLATION TO EN60079-14 & EN50281-1-2
 STANDARD..... BS EN 50014/17/28 & EN 50281-1-1
 CERTIFICATEATEX TYPE EXAMINATION Baseef04ATEX0220
 CODING.....Ex II 2 G D EEx eqm II T4 Tamb 55C
 INGRESS PROTECTION...IP66/67 TO BS EN60529 (IEC 529)
 INCOMING CABLEUP TO 6mm (3 CORE) FOR FOR LOOPING

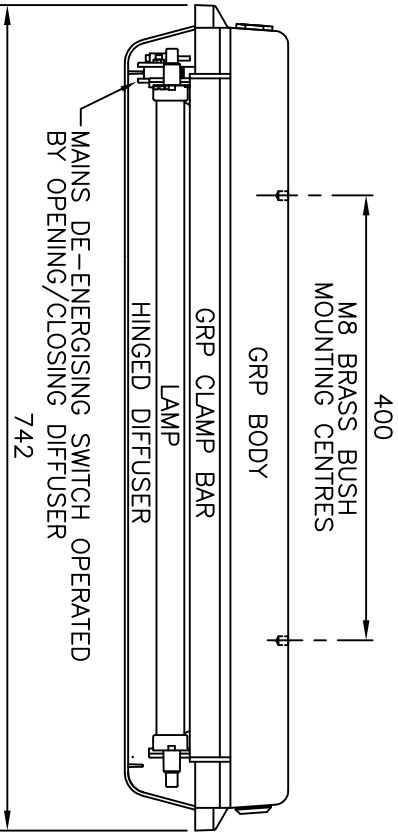
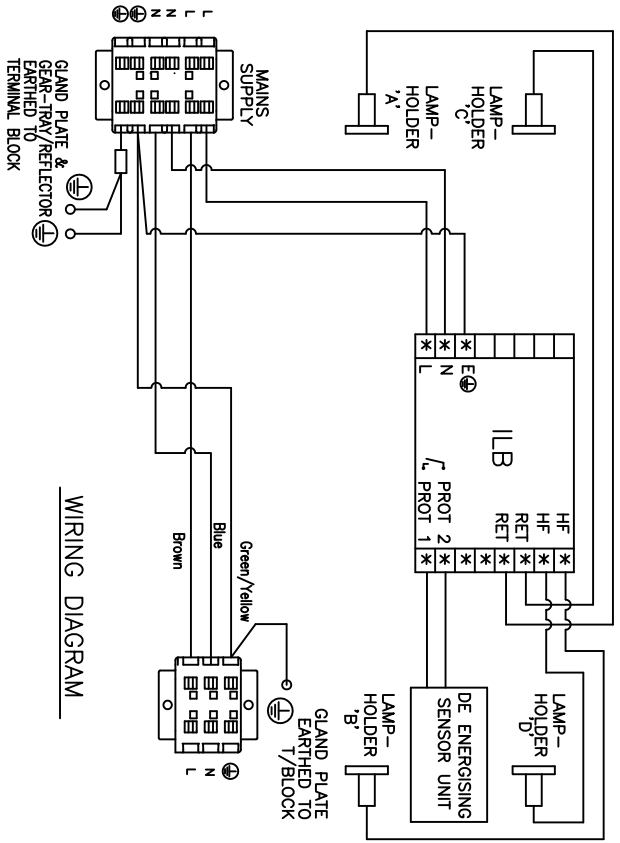
TWO M20 CABLE ENTRIES
 AT EITHER END OF BODY
 THRO' GLAND PLATES
 (UNUSED ENTRIES ARE TO BE
 PLUGGED USING Ex'e' PLUGS)



LUMINAIRE	WATTAGE	LAMP TYPE	WEIGHT
PRGE/218/BI	2X18W	BI PIN	4.2Kg
PRGE/218/MO	2X18W	MONO PIN	4.2Kg

DRAWN	Slee
CHECKED	slee
APPROVED	slee
DATE	30.01.08

REF. DRGS:-



CDR No.	MOD BY	MATERIAL	TOLERANCE	ISSUE	DATE
		CHANGE			
		Material			
		Finish	SURFACE ROUGHNESS		

WITHOUT OUR PERMISSION THIS DRAWING, WHICH IS OUR
 COPYRIGHT, MAY NOT BE REPRODUCED OR MADE AVAILABLE
 TO THIRD PARTIES.
 AUTHORIZATION IS GIVEN TO
 TO REPRODUCE THIS DRAWING FOR INTERNAL PURPOSES ONLY.

DIMS. IN	MM
----------	----

SCALE -

Chalmit Lighting

Chalmit Lighting
 368 Hillington Road,
 Glasgow G52 4BL
 Scotland
 Tel:0141 882 5555 Fax:0141 883 3704

TITLE
 PROTECTA NON EMERGENCY GA
 2X18W FLUORESCENT
 SURFACE MOUNTED

DRAWING NUMBER/SHEET NUMBER
 H010733 1 DF 1