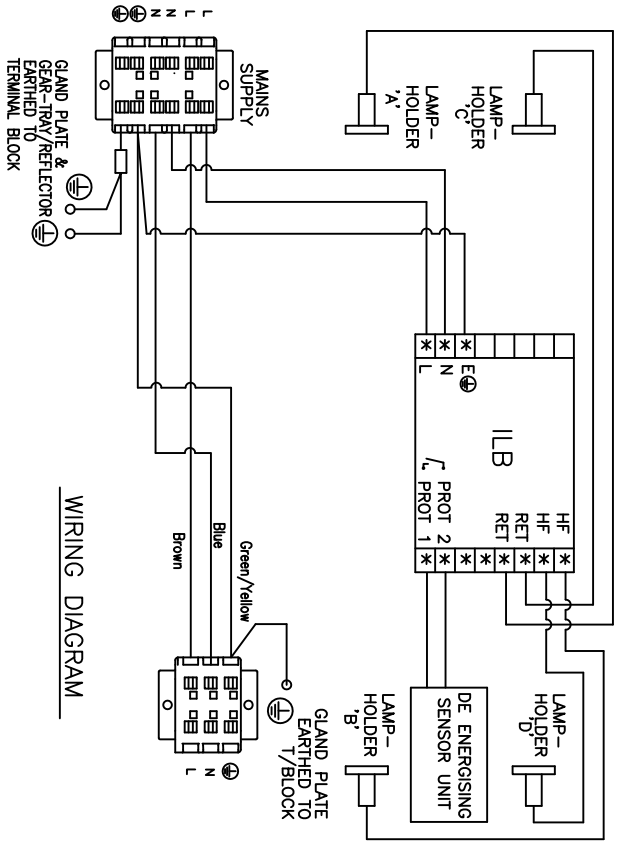
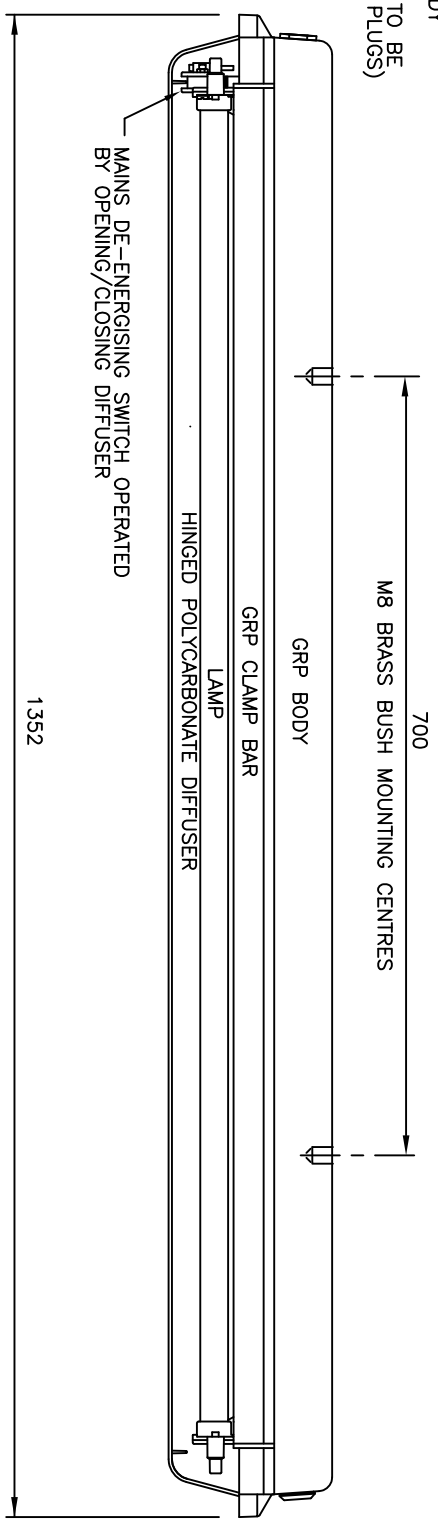
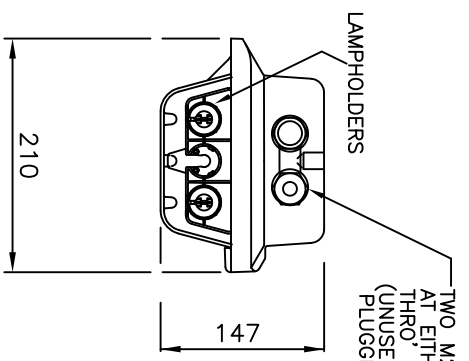


NOTES

TYPE OF PROTECTION.....Ex eqm (Increased Safety/Powder Filling/Encapsulation)
 AREA CLASSIFICATION.....ZONE 1 & 21, GAS GROUPS IIA, IIB & IIC
 TO BS EN 60079-10 & EN50281-3 &
 INSTALLATION TO EN60079-14 &
 STANDARD..... BS EN 50014/17/28 & EN 50281-1-1
 CERTIFICATEATEX TYPE EXAMINATION Baseef04ATEX0220
 CODING.....Ex II 2 G D EEx eqm II T4 Tamb 55°C
 INGRESS PROTECTION...IP66/67 TO BS EN60529 (IEC 529)
 INCOMING CABLEUP TO 6mm (3 CORE) FOR FOR LOOPING



LUMINAIRE	WATTAGE	LAMP TYPE	WEIGHT
PRGE/236/BI	2X36W	BI PIN	9.8Kg
PRGE/236/MO	2X36W	MONO PIN	9.8Kg

REF. DRES.-	DATE	APPROVED	CHECKED	DRAWN
	30.01.08	sliee	sliee	sliee

WITHOUT OUR PERMISSION THIS DRAWING, WHICH IS OUR COPYRIGHT, MAY NOT BE REPRODUCED OR MADE AVAILABLE TO THIRD PARTIES. AUTHORIZATION IS GIVEN TO TO REPRODUCE THIS DRAWING FOR INTERNAL PURPOSES ONLY.

CHG No	MOD BY	MATERIAL	FINISH	TOLERANCE	ISSUE	DATE
		CHANGE	Material			
			Finish	SURFACE ROUGHNESS		

DMs. IN MM SCALE -

Chalmit Lighting

Chalmit Lighting
 368 Hillington Road,
 Glasgow G52 4BL
 Scotland
 Tel:0141 882 5555 Fax:0141 883 3704

TITLE
 PROTECTA NON EMERGENCY GA
 2X36W FLUORESCENT
 SURFACE MOUNTED

DRAWING NUMBER/SHEET NUMBER
 H010273 1 DF 1