

NOTES

TYPE OF PROTECTION...Ex eqm (Increased Safety/Powder Filling/Encapsulation)

AREA CLASSIFICATION.....ZONE 1 & 21, GAS GROUPS IIA, IIB & IIC

TO BS EN 60079-10 & EN50281-3 &
INSTALLATION TO EN60079-14 &
INSTALLATION TO EN60079-14 & EN50281-1-1

STANDARD..... BS EN 50014/17//28 & EN 50281-1-2

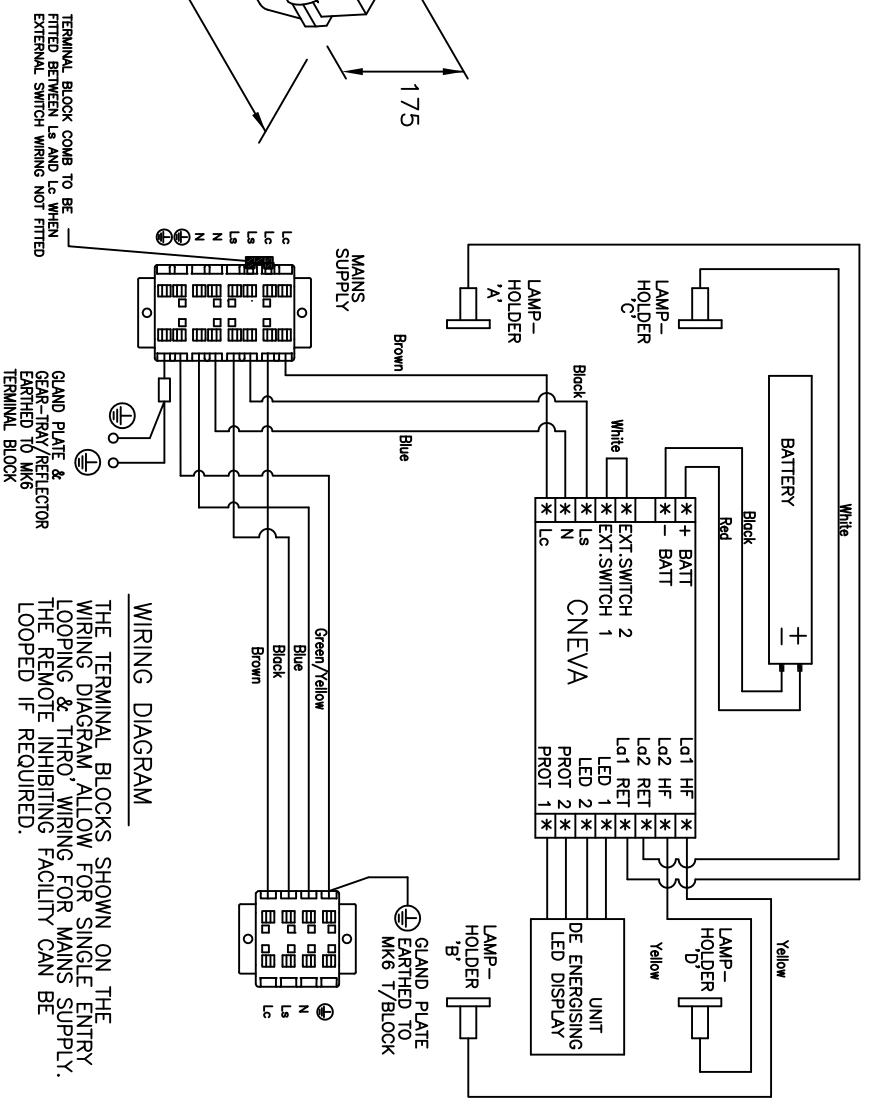
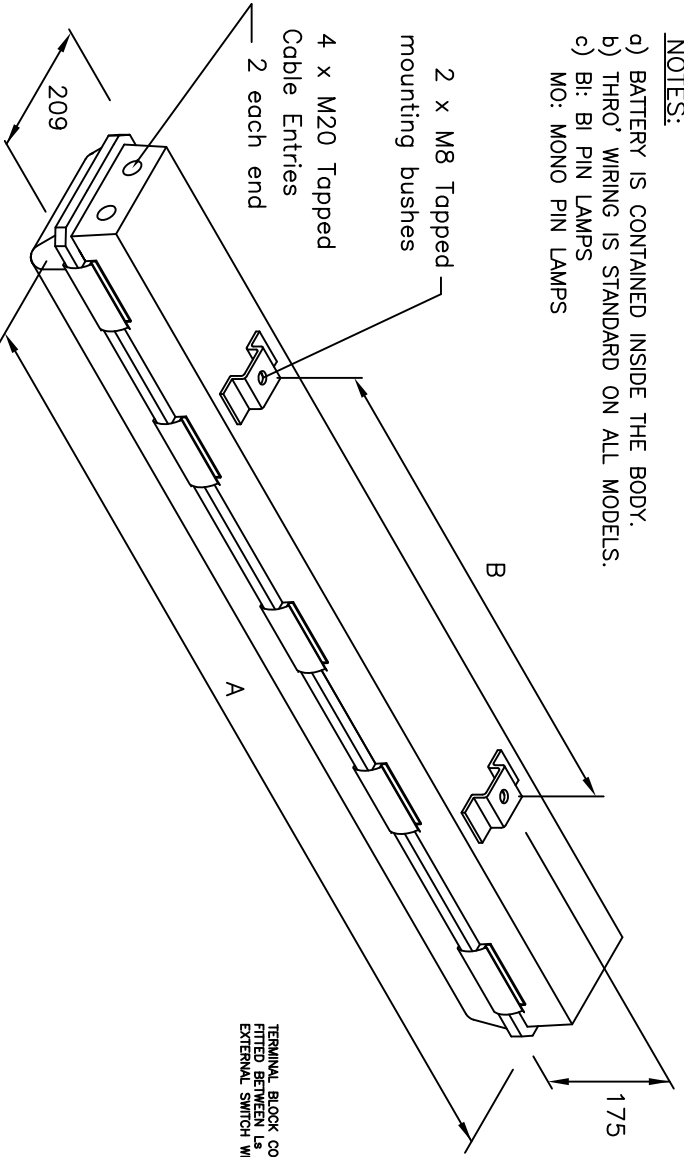
CERTIFICATEATEX TYPE EXAMINATION Baseef04ATEX0220

CODING.....Ex II 2 G D EEq II T4 Tamb 55C

INGRESS PROTECTION...IP66/67 TO BS EN60529 (IEC 529)

INCOMING CABLEUP TO 6mm (4 CORE) FOR FOR LOOPING

- NOTES:**
- a) BATTERY IS CONTAINED INSIDE THE BODY.
 - b) THRO' WIRING IS STANDARD ON ALL MODELS.
 - c) BI: BI PIN LAMPS
MO: MONO PIN LAMPS



WIRING DIAGRAM

THE TERMINAL BLOCKS SHOWN ON THE WIRING DIAGRAM ALLOW FOR SINGLE ENTRY LOOPING & THRO' WIRING FOR MAINS SUPPLY. THE REMOTE INHIBITING FACILITY CAN BE LOOPED IF REQUIRED.

EMERGENCY OUTPUT:

STANDARD (18W)	90min-(4ah Battery) = 50%
3H	3Hour-(4ah Battery) = 30%
STANDARD (36W)	90min-(4ah Battery) = 25%
HEO	90min-(7ah Battery) = 45%
3H	3Hour-(7ah Battery) = 25%

LUMINAIRE	'A'	'B'	WEIGHT	CODING
PRSE/218/BI/EM	742	400	9.1 Kg	Ex II 2 G D EEq eqm II T4@ 55C
PRSE/236/BI/EM	1352	700	12.5Kg	
PRSE/218/MO/EM	742	400	9.1 Kg	
PRSE/236/MO/EM	742	400	12.5 Kg	

DRAWN	sheet
CHECKED	sheet
APPROVED	sheet
DATE	01.02.08