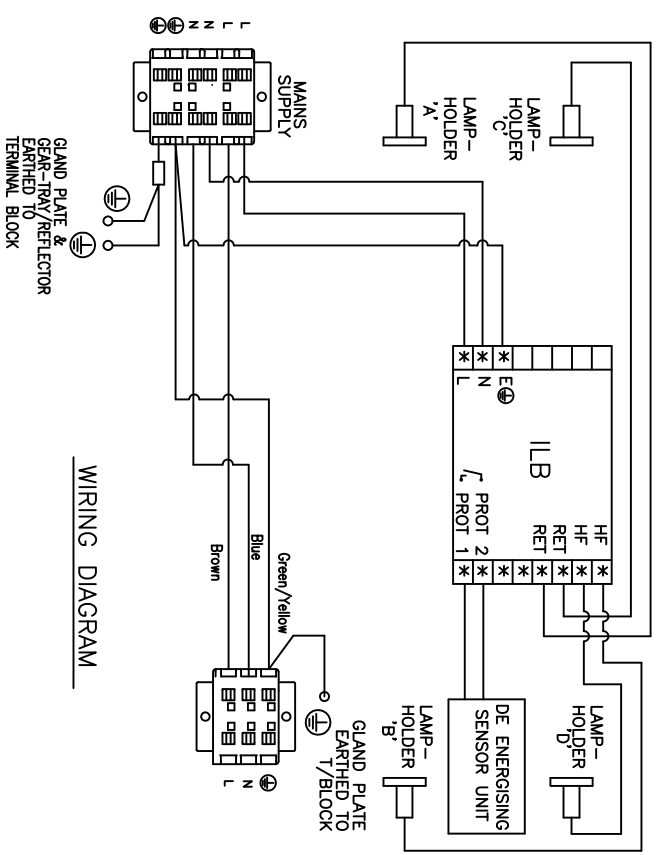
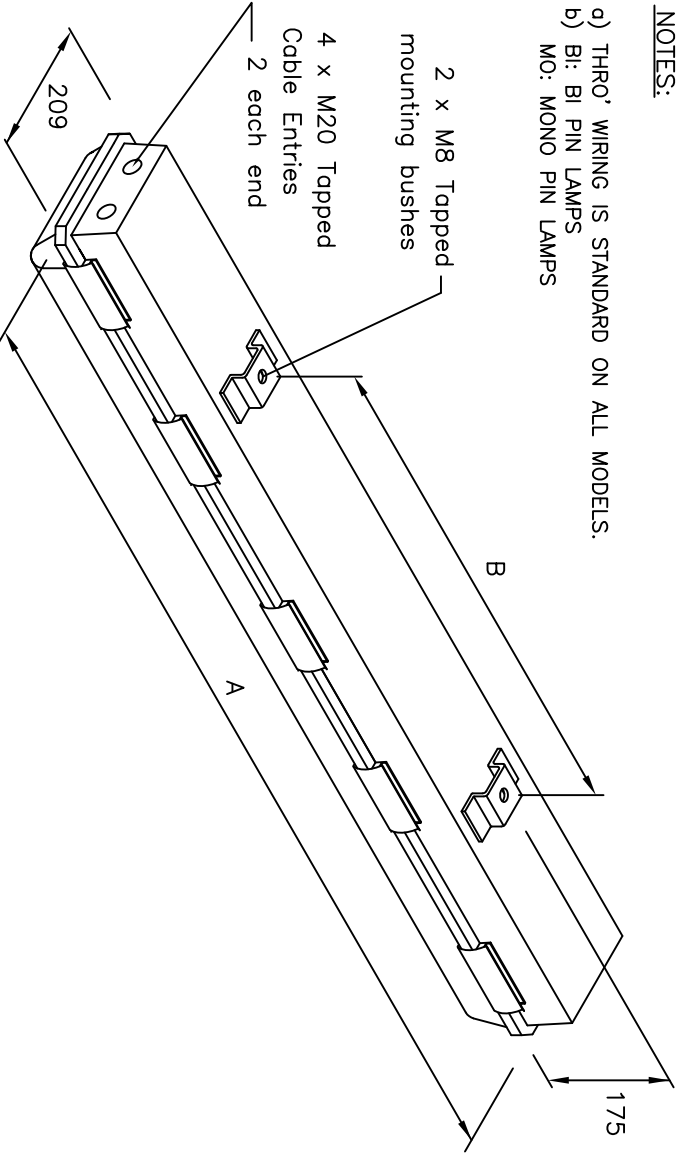


NOTES

TYPE OF PROTECTION.....Ex eqm (Increased Safety/Powder Filling/Encapsulation)
 AREA CLASSIFICATION.....ZONE 1 & 21, GAS GROUPS IIA, IIB & IIC
 TO BS EN 60079-10 & EN50281-3 &
 INSTALLATION TO EN60079-14 &
 INSTALLATION TO EN60079-14 & EN50281-1-2
 STANDARD..... BS EN 50014/17/28 & EN 50281-1-1
 CERTIFICATEATEX TYPE EXAMINATION Baseef04ATEX0220
 CODING.....Ex II 2 G D EEx eqm II T4 Tamb 55°C
 INGRESS PROTECTION...IP66/67 TO BS EN60529 (IEC 529)
 INCOMING CABLEUP TO 6mm (3 CORE) FOR FOR LOOPING

NOTES:

- a) THRO' WIRING IS STANDARD ON ALL MODELS.
- b) BI: BI PIN LAMPS
MO: MONO PIN LAMPS



WIRING DIAGRAM

LUMINAIRE	'A'	'B'	WEIGHT	CODING
PRSE/218/BI	742	400	6.0Kg	Ex II 2 G D EEx eqm II T4@ 55°C
PRSE/236/BI	1352	700	9.6Kg	
PRSE/218/MO	742	400	6.0Kg	
PRSE/236/MO	742	400	9.6Kg	

DRAWN	steel
CHECKED	steel
APPROVED	steel
DATE	01.02.08

REF. DRGS:-

Chalmit Lighting

Chalmit Lighting
 368 Hillington Road,
 Glasgow G52 4BL,
 Scotland
 Tel:0141 882 5555 Fax:0141 883 3704

WITHOUT OUR PERMISSION THIS DRAWING, WHICH IS OUR COPYRIGHT, MAY NOT BE REPRODUCED OR MADE AVAILABLE TO THIRD PARTIES.
 AUTHORIZATION IS GIVEN TO
 TO REPRODUCE THIS DRAWING FOR INTERNAL PURPOSES ONLY.

CHANG	MATERIAL	TOLERANCE	DATE	TITLE
MOD BY	ST ST & POLYCARBONATE	SURFACE ROUGHNESS	01.03.04	PROTECTOR S/S Exe NON EMERGENCY 2X18-36W FLUORESCENT SURFACE MOUNTED
FINISH	SELF	SCALE		DRAWING NUMBER/SHEET NUMBER F1852
DIMS. IN	MM			