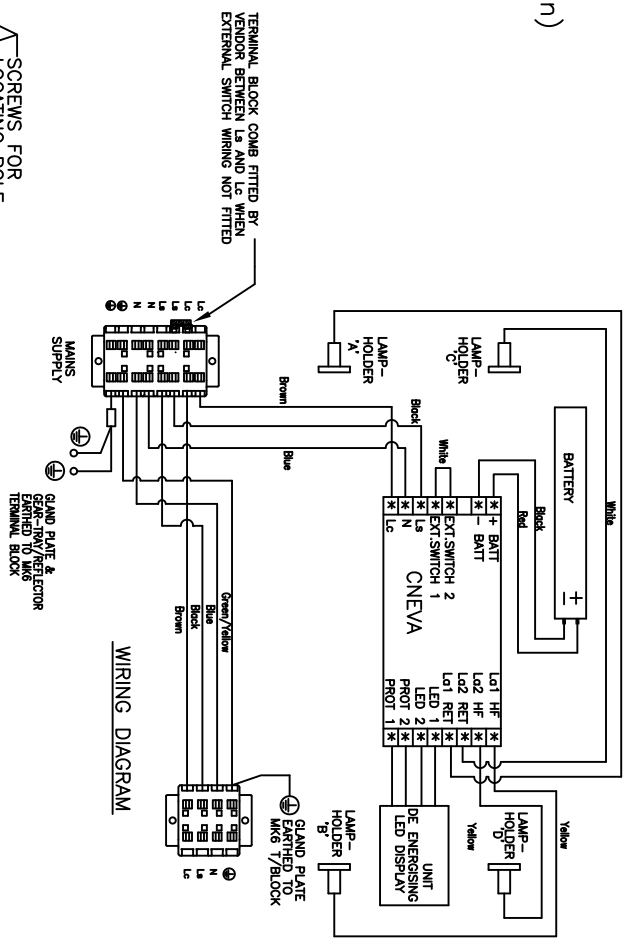
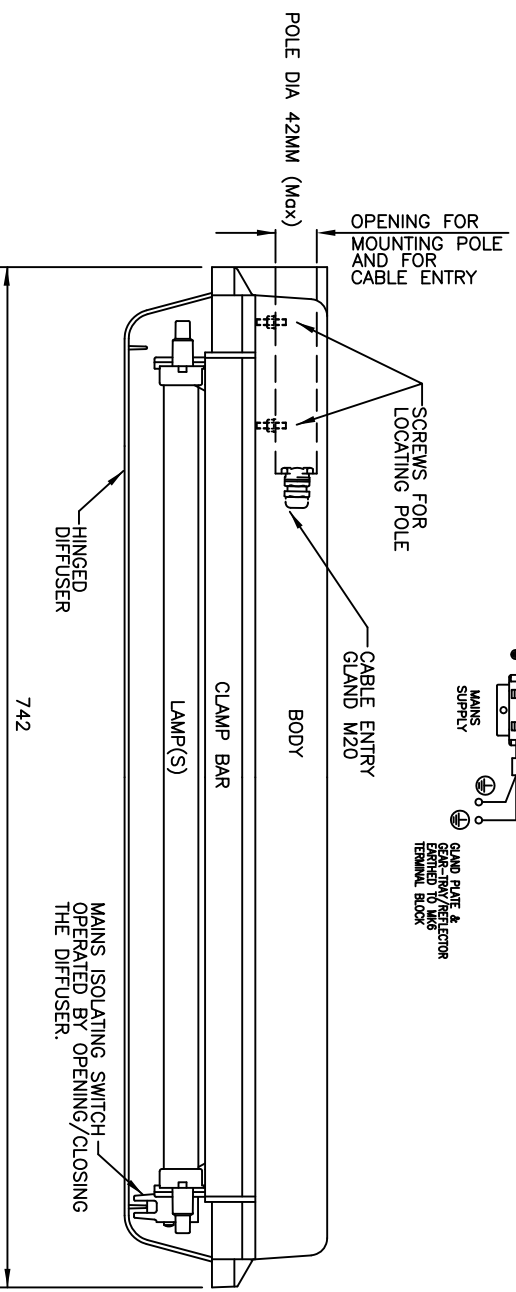
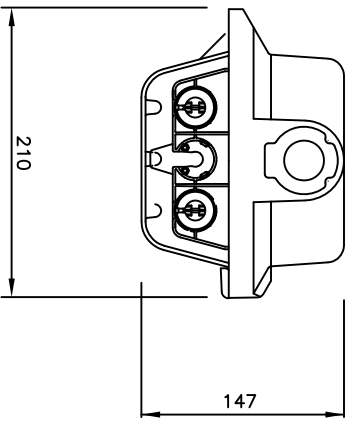


**NOTES**

TYPE OF PROTECTION...Ex eqm (Increased Safety/Powder Filling/Encapsulation)  
 AREA CLASSIFICATION...ZONE 1 & 21, GAS GROUPS IIA, IIB & IIC  
 TO BS EN 60079-10 & EN50281-3 &  
 INSTALLATION TO EN60079-14 &  
 INSTALLATION TO EN60079-14 & EN50281-1-2  
 STANDARD..... BS EN 50014/17/28 & EN 50281-1-1  
 CERTIFICATE .....ATEX TYPE EXAMINATION Baseefa04ATEX0220  
 CODING.....Ex II 2 G D EEx eqm IIT4 Tamb 55°C  
 INGRESS PROTECTION...IP66/67 TO BS EN60529 (IEC 529)  
 INCOMING CABLE .....UP TO 6mm sq (4 CORE)  
 BATTERY.....90 Min or 3 Hour (3H)  
 SUPPLY VOLTAGE.....220-254V 50/60Hz



NOTE: NO LOOPING OR THROUGH WIRING AVAILABLE ON SPIGOT ENTRY MODEL.

LUMINAIRE	WATTAGE	LAMP TYPE	WEIGHT
PRGE/218/B/EM/SE	2X18W	BI PIN	8.3Kg
PRGE/218/B/EM/3H/SE	2X18W	BI PIN	8.3Kg

REF. DRGS.-	REF. DRGS.-
DRAWN	sheet
CHECKED	sheet
APPROVED	sheet
DATE	04.02.08

WITHOUT OUR PERMISSION THIS DRAWING, WHICH IS OUR COPYRIGHT, MAY NOT BE REPRODUCED OR MADE AVAILABLE TO THIRD PARTIES.  
 AUTHORIZATION IS GIVEN TO ..... TO REPRODUCE THIS DRAWING FOR INTERNAL PURPOSES ONLY.

**Chalmit Lighting**

Chalmit Lighting  
 368 Hillington Road,  
 Glasgow G52 4BL  
 Scotland  
 1810141 882 5555 Fax:0141 893 3704

TITLE  
 PROTECTA SIDE ENTRY GA  
 2X18W EMERGENCY

DRAWING NUMBER/SHEET NUMBER  
 H010741 1 DF 1