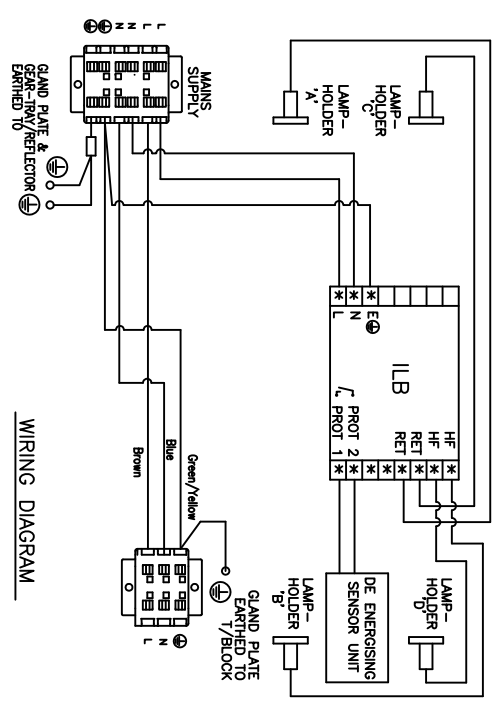
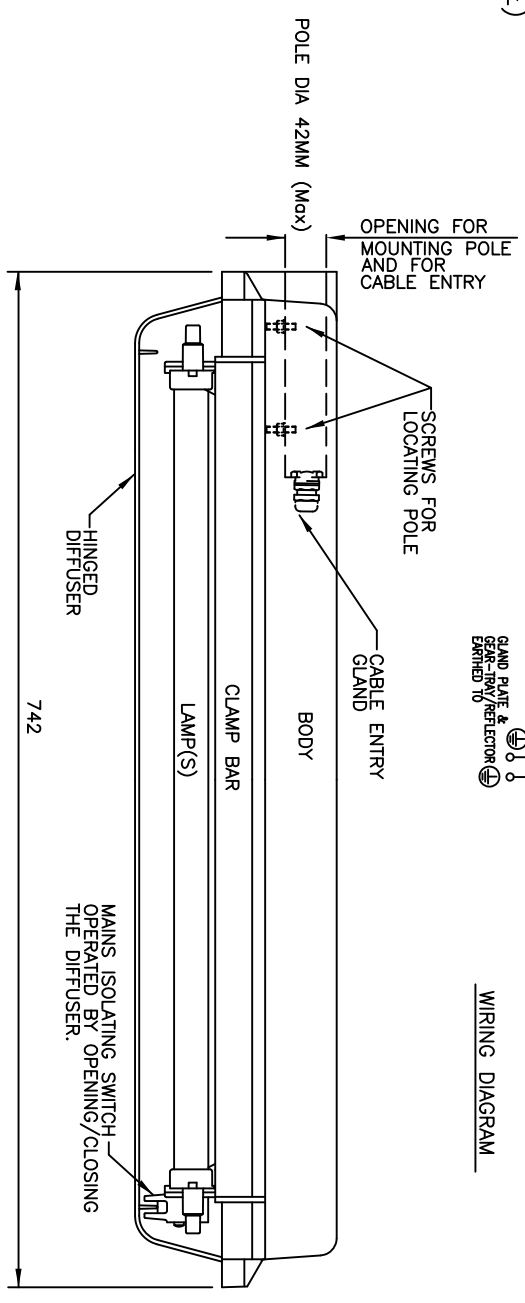
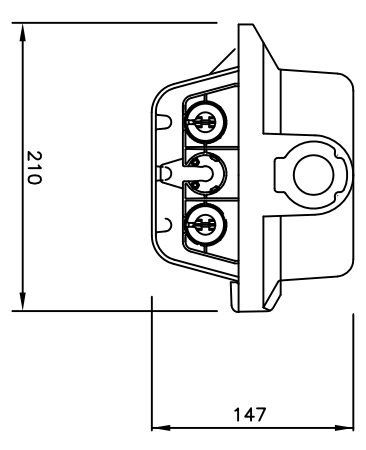


**NOTES**

TYPE OF PROTECTION... Ex eqm (Increased Safety/Powder Filling/Encapsulation)  
 AREA CLASSIFICATION.....ZONE 1 & 21, GAS GROUPS IIA, IIB & IIC  
 TO BS EN 60079-10 & EN50281-3 &  
 INSTALLATION TO EN60079-14 &  
 INSTALLATION TO EN60079-14 & EN50281-1-2  
 STANDARD..... BS EN 50014/17/28 & EN 50281-1-1  
 CERTIFICATE .....ATEX TYPE EXAMINATION Baseefa04ATEX0220  
 CODING..... Ex II 2 G D EEx eqm II T4 Tamb 55°C  
 INGRESS PROTECTION...IP66/67 TO BS EN60529 (IEC 529)  
 INCOMING CABLE .....UP TO 6mm sq (3 CORE)  
 SUPPLY VOLTAGE.....220-254V 50/60Hz  
 110-120V 50/60Hz



WIRING DIAGRAM

NOTE: NO LOOPING OR THROUGH WIRING AVAILABLE ON SPIGOT ENTRY MODEL

| LUMINAIRE          | WATTAGE | LAMP TYPE | WEIGHT |
|--------------------|---------|-----------|--------|
| PRGE/218/BI/SE     | 2X18W   | BI PIN    | 4.2Kg  |
| PRGE/218/BI/120/SE | 2X18W   | BI PIN    | 4.2Kg  |
| PRGE/218/MO/SE     | 2X18W   | MONO PIN  | 4.2Kg  |
| PRGE/218/MO/120/SE | 2X18W   | MONO PIN  | 4.2Kg  |

|          |          |
|----------|----------|
| DRAWN    | slice    |
| CHECKED  | slice    |
| APPROVED | slice    |
| DATE     | 04/02/08 |

REF. DRGS. -

| DCP No. | MOD BY | CHANGE | MATERIAL | TOLERANCE | ISSUE | DATE |
|---------|--------|--------|----------|-----------|-------|------|
|         |        |        | Material |           |       |      |
|         |        |        | Finish   |           |       |      |

WITHOUT OUR PERMISSION THIS DRAWING, WHICH IS OUR COPYRIGHT, MAY NOT BE REPRODUCED OR MADE AVAILABLE TO THIRD PARTIES.  
 AUTHORIZATION IS GIVEN TO ..... TO REPRODUCE THIS DRAWING FOR INTERNAL PURPOSES ONLY.

FINISH: Finish

SURFACE ROUGHNESS

SCALE: -

**Chalmit Lighting**  
 Chalmit Lighting  
 368 Hillington Road,  
 Glasgow G52 4BL  
 Scotland  
 Tel:0141 882 5555 Fax:0141 883 3704

TITLE: PROTECTA SIDE ENTRY GA  
 2X18W NON EMERGENCY  
 SIDE ENTRY

DRAWING NUMBER/SHEET NUMBER  
 H010740 1 DF 1