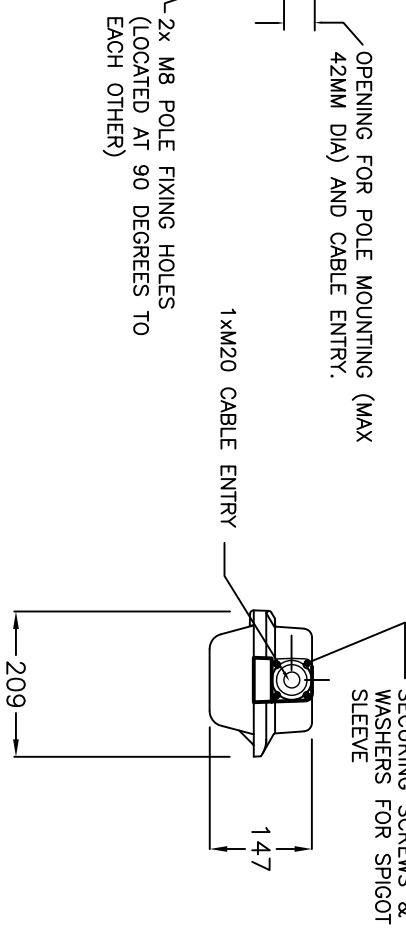
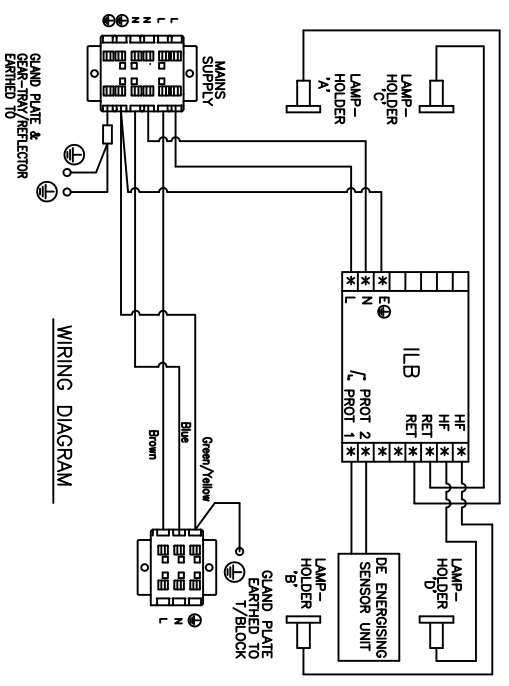
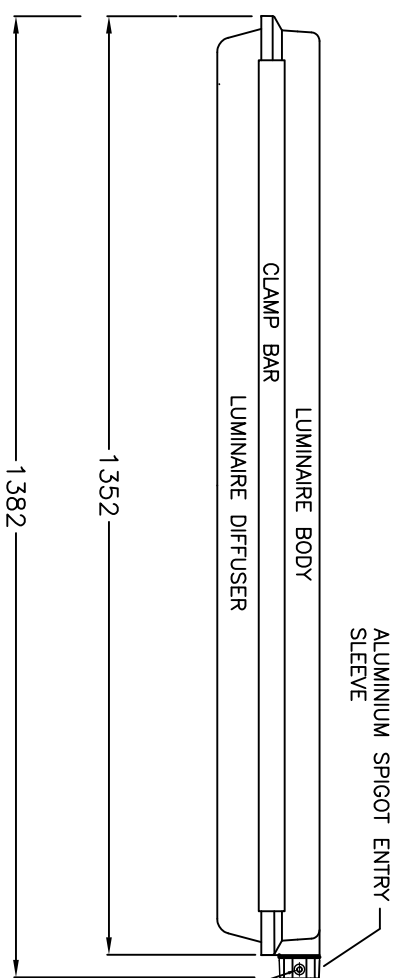


**NOTES**

TYPE OF PROTECTION... Ex eqm (Increased Safety/Powder Filling/Encapsulation)  
 AREA CLASSIFICATION.....ZONE 1 & 21, GAS GROUPS IIA, IIB & IIC  
 TO BS EN 60079-10 & EN50281-3 &  
 INSTALLATION TO EN60079-14 &  
 INSTALLATION TO EN60079-14 & EN50281-1-2  
 STANDARD..... BS EN 50014/17/28 & EN 50281-1-1  
 CERTIFICATE .....ATEX TYPE EXAMINATION Baseefa04ATEX0220  
 CODING.....Ex II 2 G D EEx eqm II T4 Tamb  
 INGRESS PROTECTION...IP66/67 TO BS EN60529 (IEC 529)  
 INCOMING CABLE .....UP TO 6mm sq (3 CORE)  
 SUPPLY VOLTAGE.....220-254V 50/60Hz  
 110-120V 50/60Hz



NOTE: NO LOOPING OR THROUGH WIRING AVAILABLE ON SPIGOT ENTRY MODEL.

LUMINAIRE	WATTAGE	LAMP TYPE	WEIGHT
PRGE/236/BI/SE	2X18W	BI PIN	9.8Kg
PRGE/236/BI/120/SE	2X18W	BI PIN	9.8Kg
PRGE/236/MO/SE	2X18W	MONO PIN	9.8Kg
PRGE/236/MO/120/SE	2X18W	MONO PIN	9.8Kg

REF. DRGS-	DATE	APPROVED	CHECKED	DRAWN
	05.02.08	sheet	sheet	sheet

REF. DRGS-	DATE	APPROVED	CHECKED	DRAWN
	05.02.08	sheet	sheet	sheet

**Chalmit Lighting**

Chalmit Lighting  
 368 Hillington Road,  
 Glasgow G52 4BL  
 Scotland  
 1810141 882 5555 Fax:0141 883 3704

TITLE  
 PROTECTA SIDE ENTRY GA  
 2X36W NON EMERGENCY

DRAWING NUMBER/SHEET NUMBER  
 H010204 1 OF 1