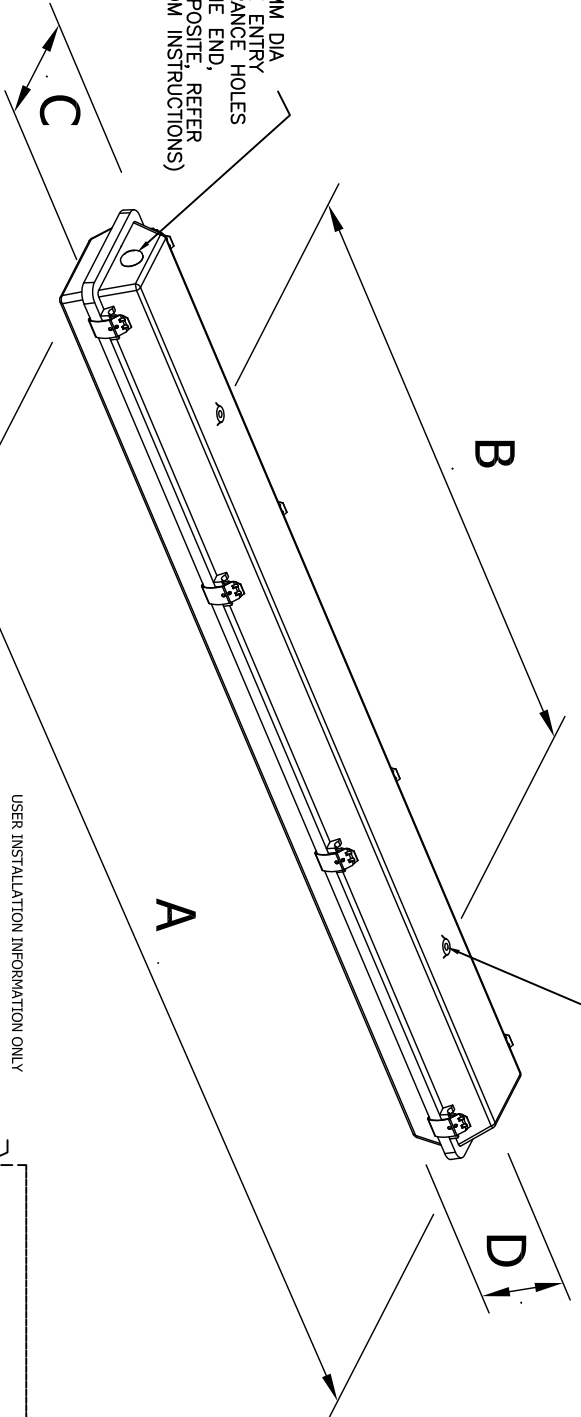


3x20MM DIA
CABLE ENTRY
CLEARANCE HOLES
(1XONE END,
2XOPPOSITE, REFER
TO IOM INSTRUCTIONS)



Product Name	STERLING II
Voltage & Frequency	120-254V
Degree of Protection	IP65

CERTIFICATE No(s): SIRAO6ATEX4348X
IECESIR 06.0108X

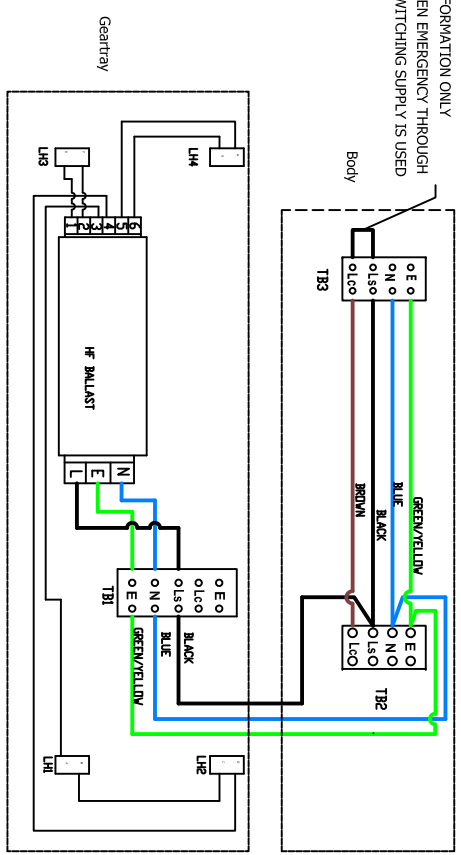
CODING: Ex II 3 GD Extra II T4

AMBIENT TEMP: -20C To (REFER TO CERTIFICATE & INSTALLATION & OPERATIONS MANUAL)

- NOTES:
- A) BODY: STAINLESS STEEL 316
 - B) DIFFUSER : POLYCARBONATE
 - C) CLIPS : STAINLESS STEEL
 - D) LUMINAIRE SUSPENSION: WASHERS ARE PROVIDED TO ACHIEVE IP65 RATING
 - E) CABLE ENTRY: 3 X 20 mm
 - F) CABLE: SUITABLE FOR UP TO 4.0 mm SQ.
 - G) POWER FACTOR : GREATER THAN 0.98

LUMINAIRE TYPE	DIMENSION 'A'	'B'	'C'	'D'	NO OFF RETAINING CLIPS	WEIGHT
SS2N/218/BI	702	500	172	106	6 OFF	3.6KG
SS2N/236/BI	1312	800	172	106	8 OFF	4.8KG
SS2N/258/BI	1612	1100	172	106	10 OFF	6.5KG

USER INSTALLATION INFORMATION ONLY
REMOVE WIRE LINK WHEN EMERGENCY THROUGH
WIRING WITH LOCAL SWITCHING SUPPLY IS USED



TWIN LAMP NON EMERGENCY WIRING

DRAWN	SLEE
CHECKED	
APPROVED	
DATE	02.10.07

REF. DRES:-

WITHOUT OUR PERMISSION THIS DRAWING, WHICH IS OUR
COPYRIGHT, MAY NOT BE REPRODUCED OR MADE AVAILABLE
TO THIRD PARTIES.
AUTHORISATION IS GIVEN TO
TO REPRODUCE THIS DRAWING FOR INTERNAL PURPOSES ONLY.

CHG No	MOD BY	CHANGE	MATERIAL	TOLERANCE	ISSUE	DATE
			Material			
			Finish	SURFACE ROUGHNESS		
			DIMS. IN	MM	SCALE	-

Chalmit Lighting

Chalmit Lighting
368 Hillington Road,
Glasgow G52 4BL,
Scotland
Tel:0141 882 5555 Fax:0141 883 3704

TITLE
STERLING II-SS2N/2X18-58W
NON EMERGENCY HF RANGE
STAINLESS STEEL BODY TYPE
DRAWING NUMBER/SHEET NUMBER
H010402 1 OF 1