

Product Name	STERLING II
Voltage & Frequency	120-254V
Degree of Protection	IP65

CERTIFICATE No(s): SIRAO6ATEX4348X
 IECEXSIR 06.0108X

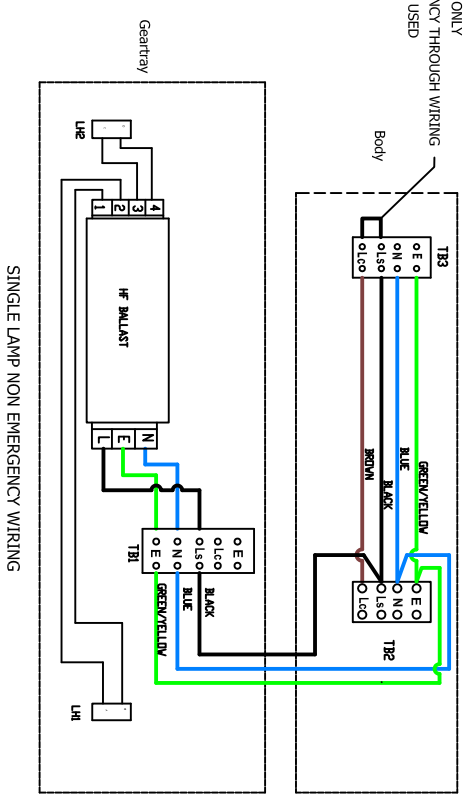
CODING: Ex II 3 GD ExnA II T4

AMBIENT TEMP: -20C To (REFER TO CERTIFICATE & INSTALLATION & OPERATIONS MANUAL)

- NOTES:
- A) BODY: GRP
 - B) DIFFUSER : POLYCARBONATE
 - C) CLIPS : STAINLESS STEEL
 - D) LUMINAIRE SUSPENSION: WASHERS ARE PROVIDED TO ACHIEVE IP65 RATING
 - E) CABLE ENTRY: 2 X 20 mm (ONE AT EACH END)
 - F) CABLE: SUITABLE FOR UP TO 4.0 mm SQ.
 - G) POWER FACTOR : GREATER THAN 0.98

LUMINAIRE TYPE	DIMENSION 'A'	'B'	'C'	'D'	NO OFF RETAINING CLIPS	WEIGHT
ST2N/118/BI	702	500	102	106	6 OFF	2.2KG
ST2N/136/BI	1312	800	102	106	8 OFF	3.0KG
ST2N/158/BI	1612	1100	102	106	10 OFF	4.0KG

USER INSTALLATION INFORMATION ONLY
 REMOVE WIRE LINK WHEN EMERGENCY THROUGH WIRING
 WITH LOCAL SWITCHING SUPPLY IS USED



DRAWN	sliee
CHECKED	
APPROVED	
DATE	24/04/2007

REF. DRGS:-

WITHOUT OUR PERMISSION THIS DRAWING, WHICH IS OUR COPYRIGHT, MAY NOT BE REPRODUCED OR MADE AVAILABLE TO THIRD PARTIES.
 AUTHORIZATION IS GIVEN TO TO REPRODUCE THIS DRAWING FOR INTERNAL PURPOSES ONLY.

CHANGE	SEE NOTES	TOLERANCE
FINISH	Self	SURFACE ROUGHNESS
DIMS. IN	MM	SCALE -

Chalmit Lighting

Chalmit Lighting
 368 Hillington Road,
 Glasgow G52 4BL,
 Scotland
 Tel:0141 882 5555 Fax:0141 883 3704

TITLE
 STERLING II -ST2N/1x18-58W
 NON EMERGENCY H F RANGE
 GRP BODY TYPE
 DRAWING NUMBER/SHEET NUMBER
 F2673 DF 1