

Product Name	STERLING II
Voltage & Frequency	120-254V
Degree of Protection	IP65

CERTIFICATE No(s): SIRAO6ATEX4348X
IECEXSIR 06.0108X

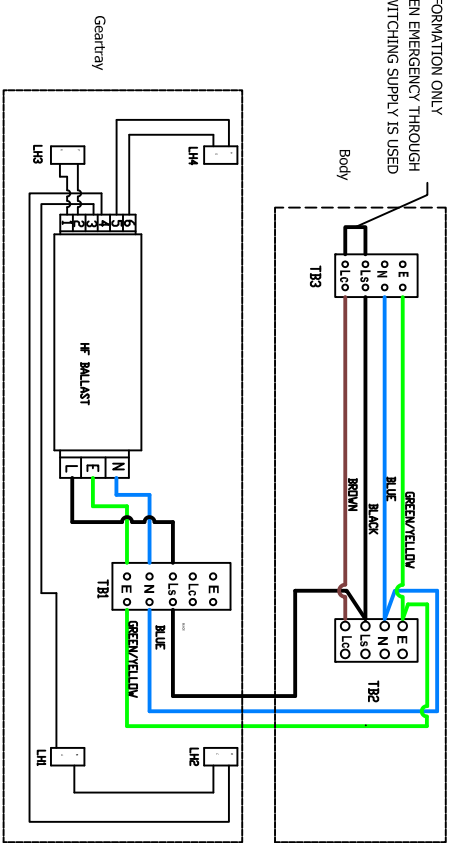
CODING: Ex II 3 GD Ex nA T4

AMBIENT TEMP: -20C To (REFER TO CERTIFICATE & INSTALLATION & OPERATIONS MANUAL)

- NOTES:
- A) BODY: GRP
 - B) DIFFUSER : POLYCARBONATE
 - C) CLIPS : STAINLESS STEEL
 - D) LUMINAIRE SUSPENSION: WASHERS ARE PROVIDED TO ACHIEVE IP65 RATING
 - E) CABLE ENTRY: 2 X 20 mm (ONE AT EACH END)
 - F) CABLE: SUITABLE FOR UP TO 4.0 mm SQ.
 - G) POWER FACTOR : GREATER THAN 0.98

LUMINAIRE TYPE	DIMENSION 'A'	'B'	'C'	'D'	NO OFF RETAINING CLIPS	WEIGHT
ST2N/218/BI	702	500	172	106	6 OFF	3.3KG
ST2N/236/BI	1312	800	172	106	8 OFF	4.5KG
ST2N/258/BI	1612	1100	172	106	10 OFF	6.5KG

USER INSTALLATION INFORMATION ONLY
REMOVE WIRE LINK WHEN EMERGENCY THROUGH
WIRING WITH LOCAL SWITCHING SUPPLY IS USED



TWIN LAMP NON EMERGENCY WIRING

REF. DIMS.	REF. DIMS.	REF. DIMS.	REF. DIMS.	REF. DIMS.	REF. DIMS.
1	2	3	4	5	6
7	8	9	10	11	12
13	14	15	16	17	18
19	20	21	22	23	24
25	26	27	28	29	30
31	32	33	34	35	36
37	38	39	40	41	42
43	44	45	46	47	48
49	50	51	52	53	54
55	56	57	58	59	60
61	62	63	64	65	66
67	68	69	70	71	72
73	74	75	76	77	78
79	80	81	82	83	84
85	86	87	88	89	90
91	92	93	94	95	96
97	98	99	100	101	102
103	104	105	106	107	108
109	110	111	112	113	114
115	116	117	118	119	120
121	122	123	124	125	126
127	128	129	130	131	132
133	134	135	136	137	138
139	140	141	142	143	144
145	146	147	148	149	150
151	152	153	154	155	156
157	158	159	160	161	162
163	164	165	166	167	168
169	170	171	172	173	174
175	176	177	178	179	180
181	182	183	184	185	186
187	188	189	190	191	192
193	194	195	196	197	198
199	200	201	202	203	204
205	206	207	208	209	210
211	212	213	214	215	216
217	218	219	220	221	222
223	224	225	226	227	228
229	230	231	232	233	234
235	236	237	238	239	240
241	242	243	244	245	246
247	248	249	250	251	252
253	254	255	256	257	258
259	260	261	262	263	264
265	266	267	268	269	270
271	272	273	274	275	276
277	278	279	280	281	282
283	284	285	286	287	288
289	290	291	292	293	294
295	296	297	298	299	300

Chalmit Lighting

Chalmit Lighting
388 Hillington Road,
Glasgow G52 4BL,
Scotland
Tel:0141 882 5555 Fax:0141 883 3704

DRAWN	size
CHECKED	
APPROVED	
DATE	16/04/2007

WITHOUT OUR PERMISSION THIS DRAWING, WHICH IS OUR
COPYRIGHT, MAY NOT BE REPRODUCED OR MADE AVAILABLE
TO THIRD PARTIES.
AUTHORISATION IS GIVEN TO
TO REPRODUCE THIS DRAWING FOR INTERNAL PURPOSES ONLY.

MATERIAL	CHANGE	DATE
FINISH	Self	
DIMS. IN	MM	
SCALE	-	

TITLE
STERLING II -ST2N/2X18-58W
NON EMERGENCY HF RANGE
GRP BODY TYPE
DRAWING NUMBER/SHEET NUMBER
F2666 1 OF 1