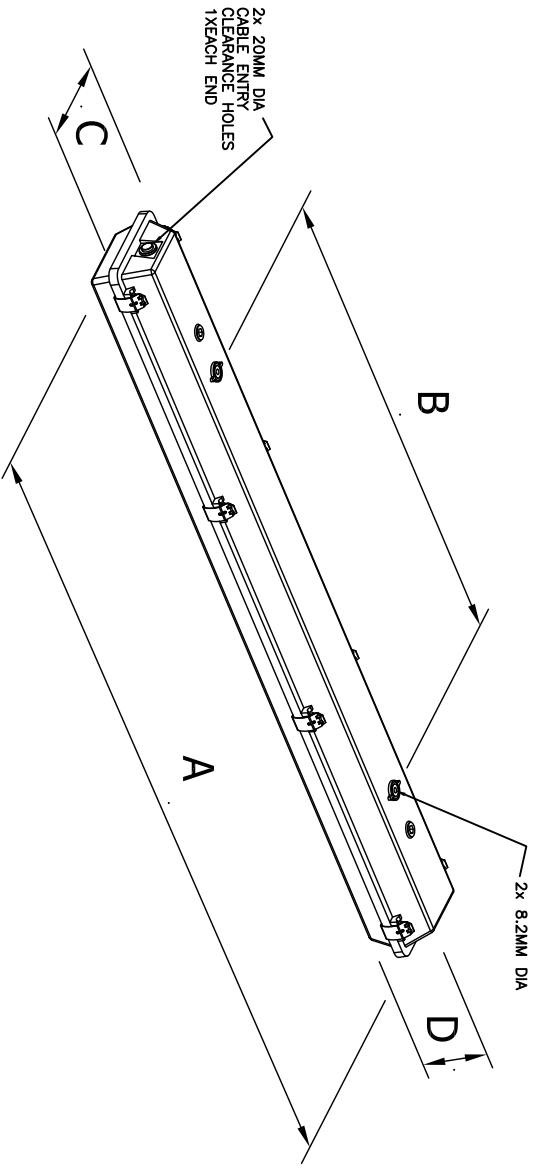


DRAWING NUMBER/SHEET NUMBER
H010399

REMOVE ALL BURRS & SHARP EDGES

IF IN DOUBT ASK!

3RD ANGLE PROJECTION



USER INSTALLATION INFORMATION ONLY
REMOVE WIRE LINK WHEN EMERGENCY THROUGH WIRING
WITH LOCAL SWITCHING SUPPLY IS USED

Product Name	STERLING II EMERGENCY
Voltage & Frequency	120-254V
Degree of Protection	IP65

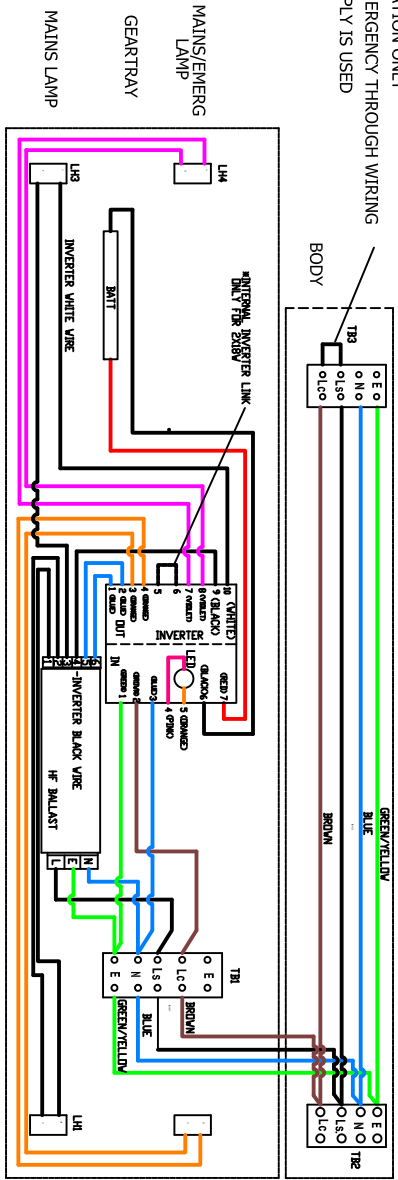
CERTIFICATE No(s):
SIRA06ATEX4348X
IECESIR 06.0108X

CODING:
EX II 3 GD ExnA II T4

AMBIENT TEMP:
-20C To (REFER TO CERTIFICATE & INSTALLATION & OPERATIONS MANUAL)

- NOTES:
- A) BODY: GRP
 - B) DIFFUSER : POLYCARBONATE
 - C) CLIPS : STAINLESS STEEL
 - D) LUMINAIRE SUSPENSION: WASHERS ARE PROVIDED TO ACHIEVE IP65 RATING
 - E) CABLE ENTRY: 2 X 20 mm. (ONE AT EACH END)
 - F) CABLE: SUITABLE FOR UP TO 4.0 mm SQ.
 - G) POWER FACTOR : GREATER THAN 0.98

LUMINAIRE TYPE	DIMENSION 'A'	'B'	'C'	'D'	NO OFF RETAINING CLIPS	WEIGHT
STZN/218/BI/EM	702	500	172	106	6 OFF	4.9KG
STZN/236/BI/EM	1312	800	172	106	8 OFF	7.1KG
STZN/258/BI/EM	1612	1100	172	106	10 OFF	8.1KG



TWIN LAMP EMERGENCY WIRING

REF. DRGS.-	DATE	CHKD BY	MOD BY	CHANGE	MATERIAL	FINISH	TOLERANCE	SURFACE ROUGHNESS	SCALE	DATE	ISSUE

Chalmit Lighting

Chalmit Lighting
368 Hillington Road,
Glasgow G52 4BL,
Scotland
Tel:0141 882 5555 Fax:0141 883 3704

TITLE
STERLING II E- STZN/2X18-58W
EMERGENCY HF RANGE
GRP BODY TYPE

DRAWING NUMBER/SHEET NUMBER
H010399 1 OF 1

DRAWN	SLEE
CHECKED	
APPROVED	
DATE	02.10.07